

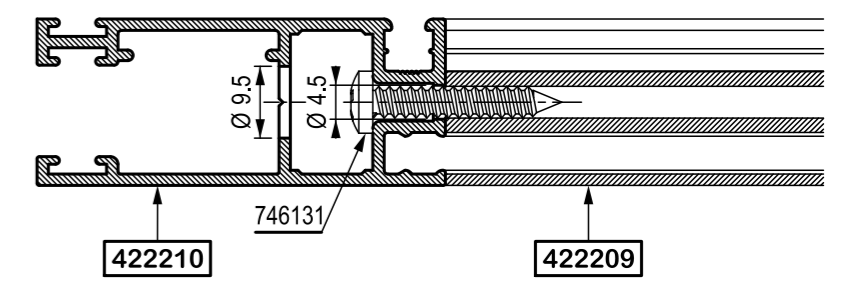
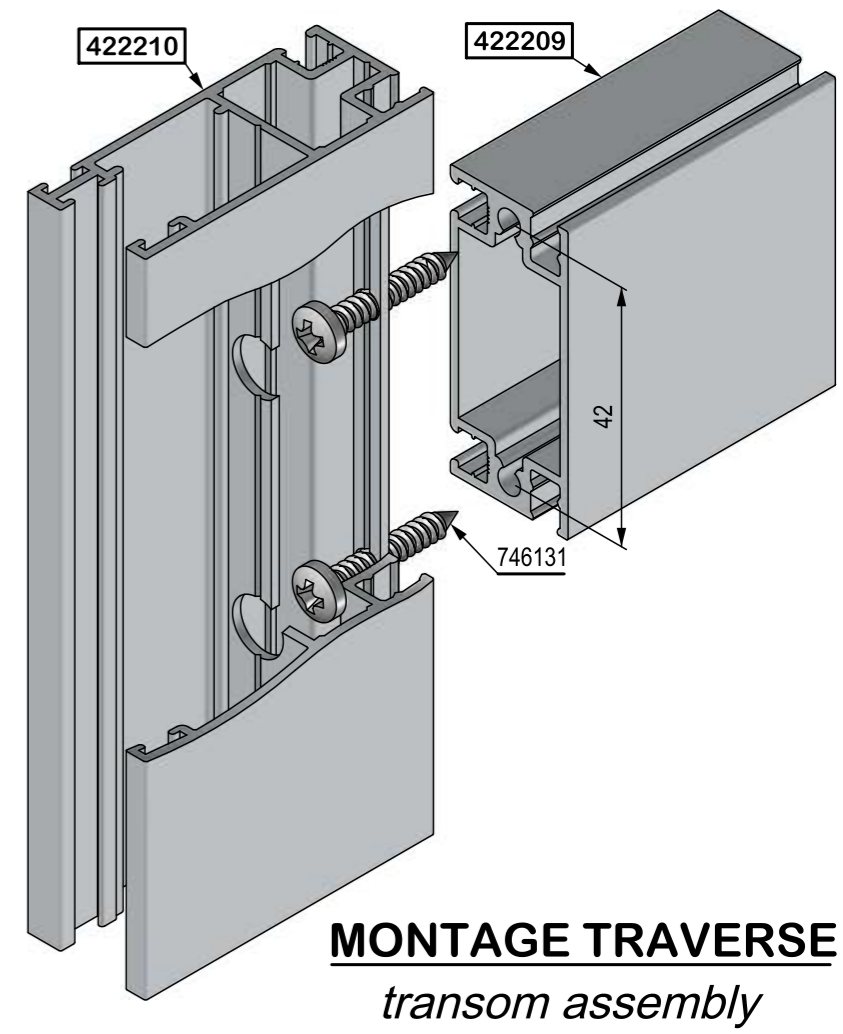
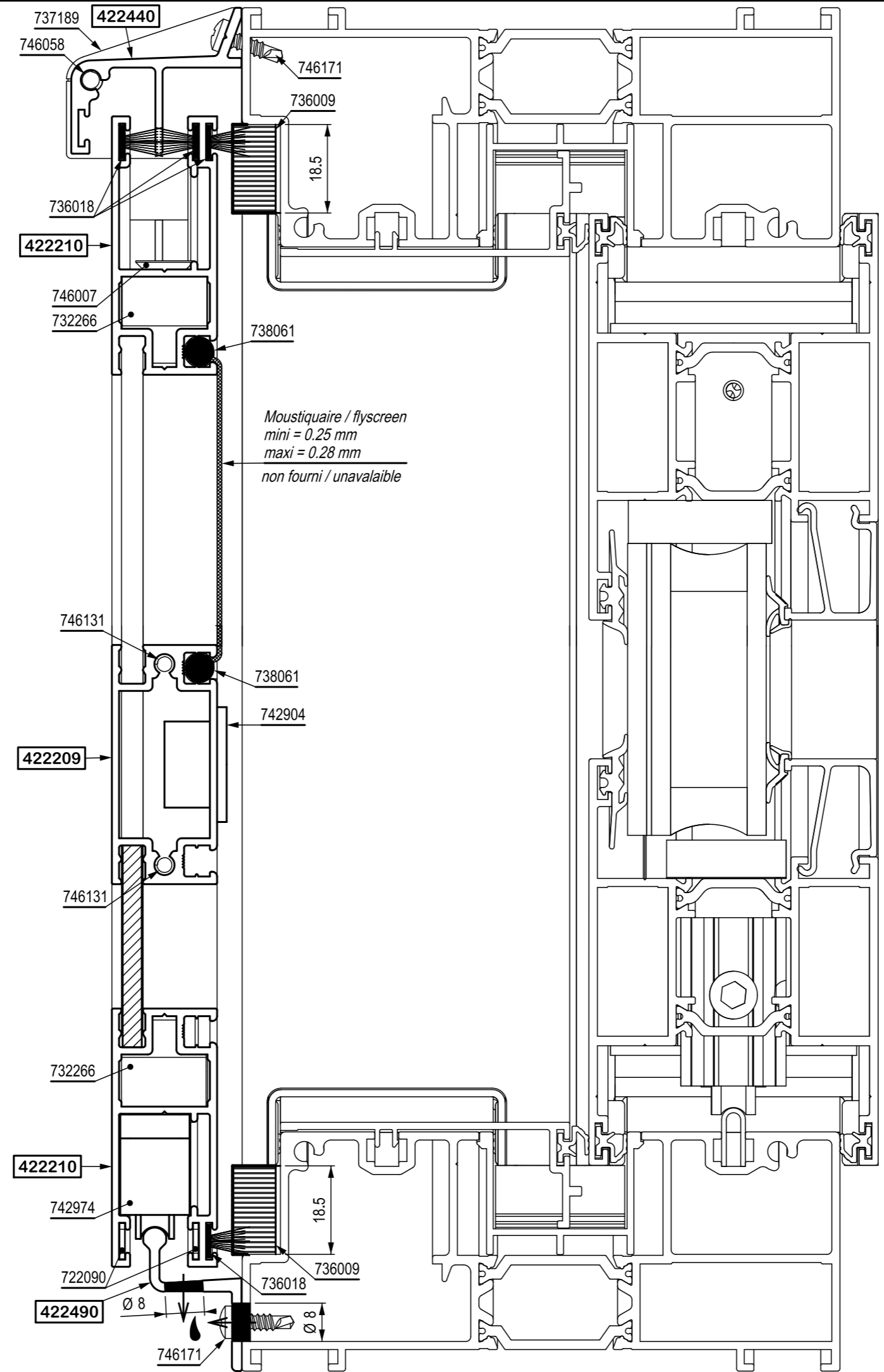
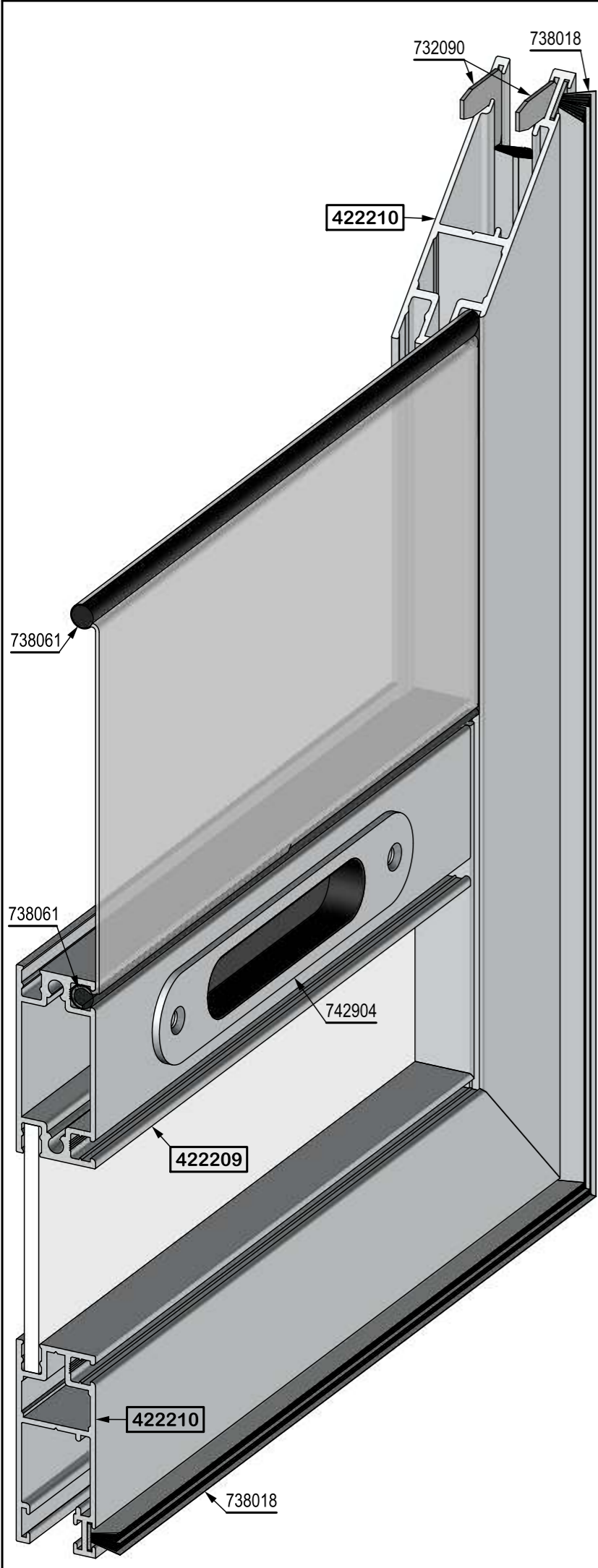
Moustiquaire QUARTZ 125 Flyscreen

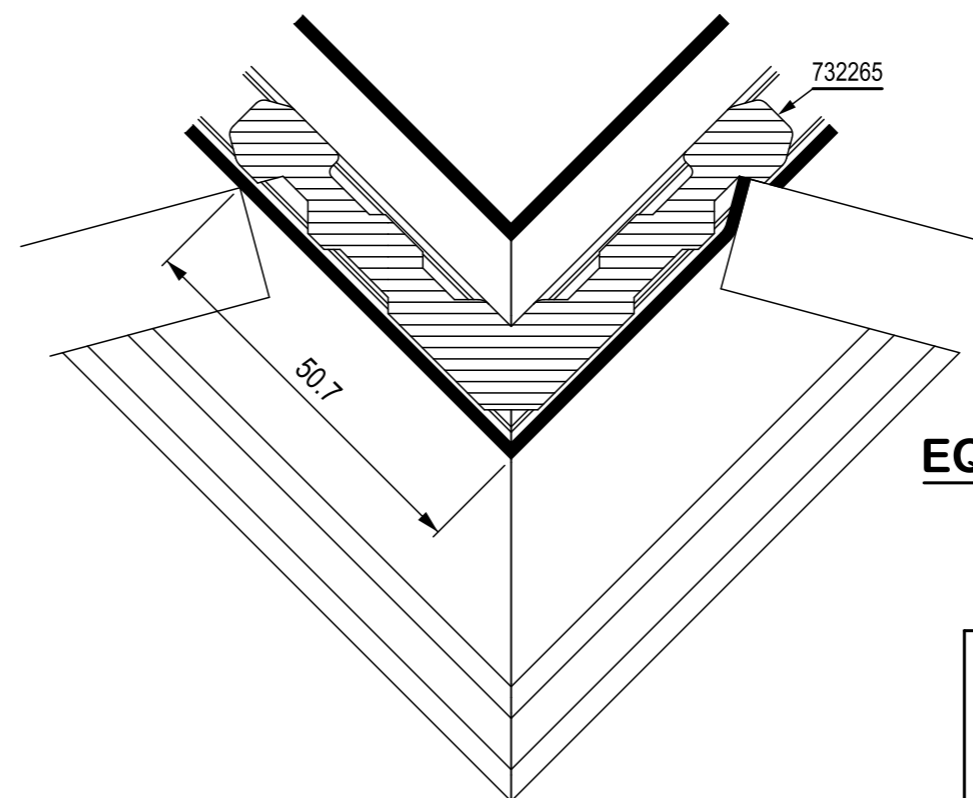
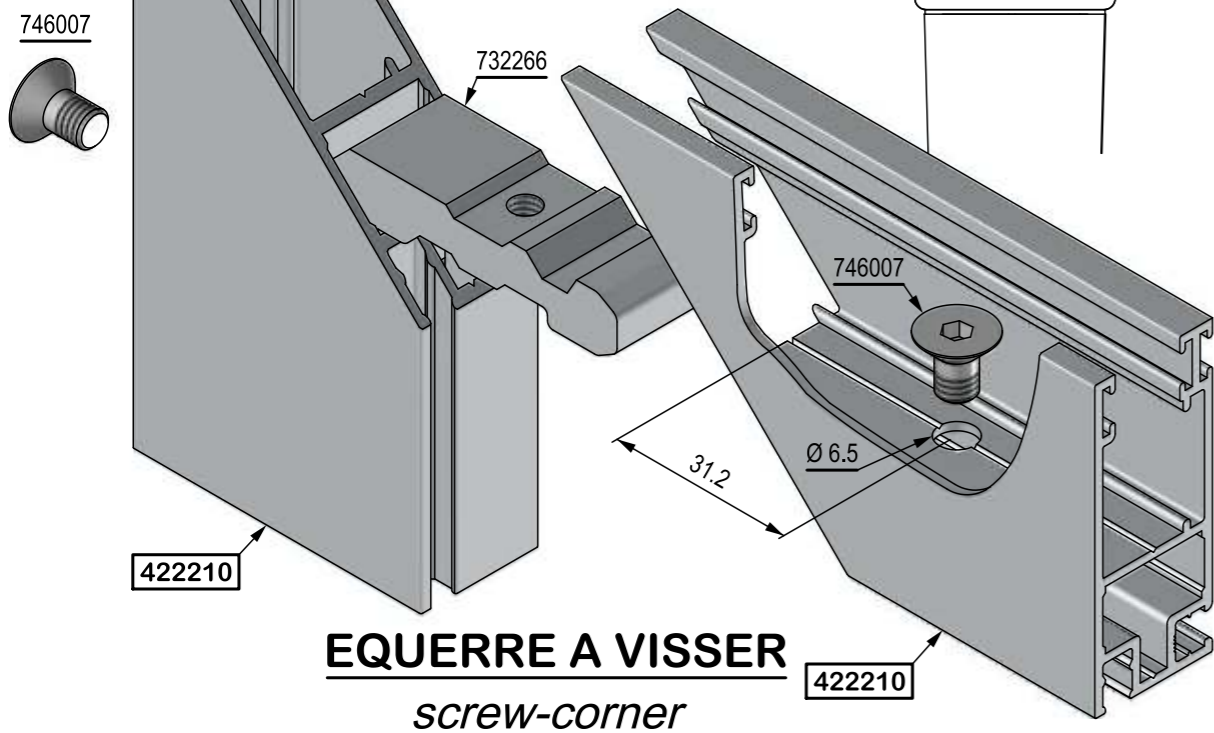
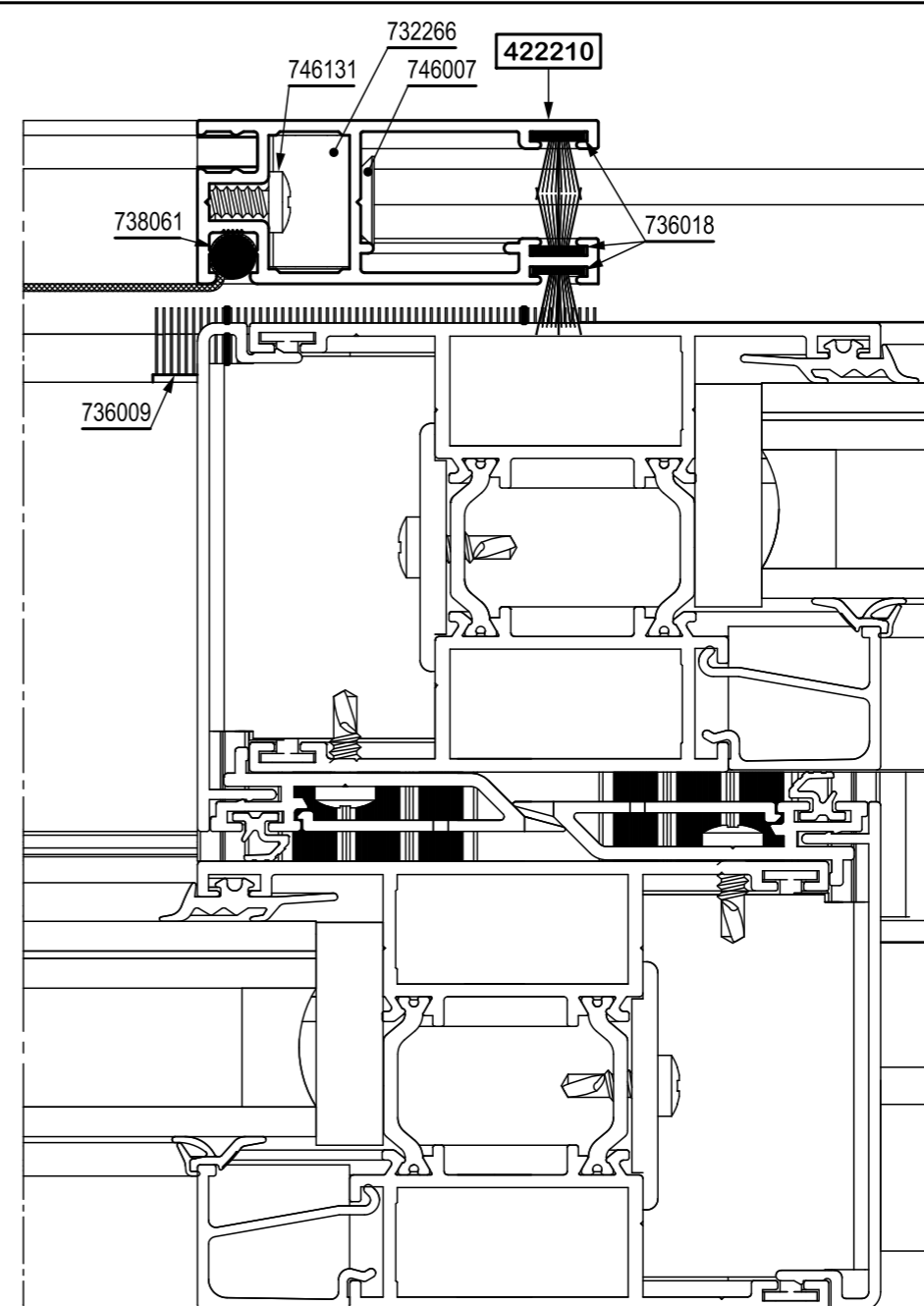
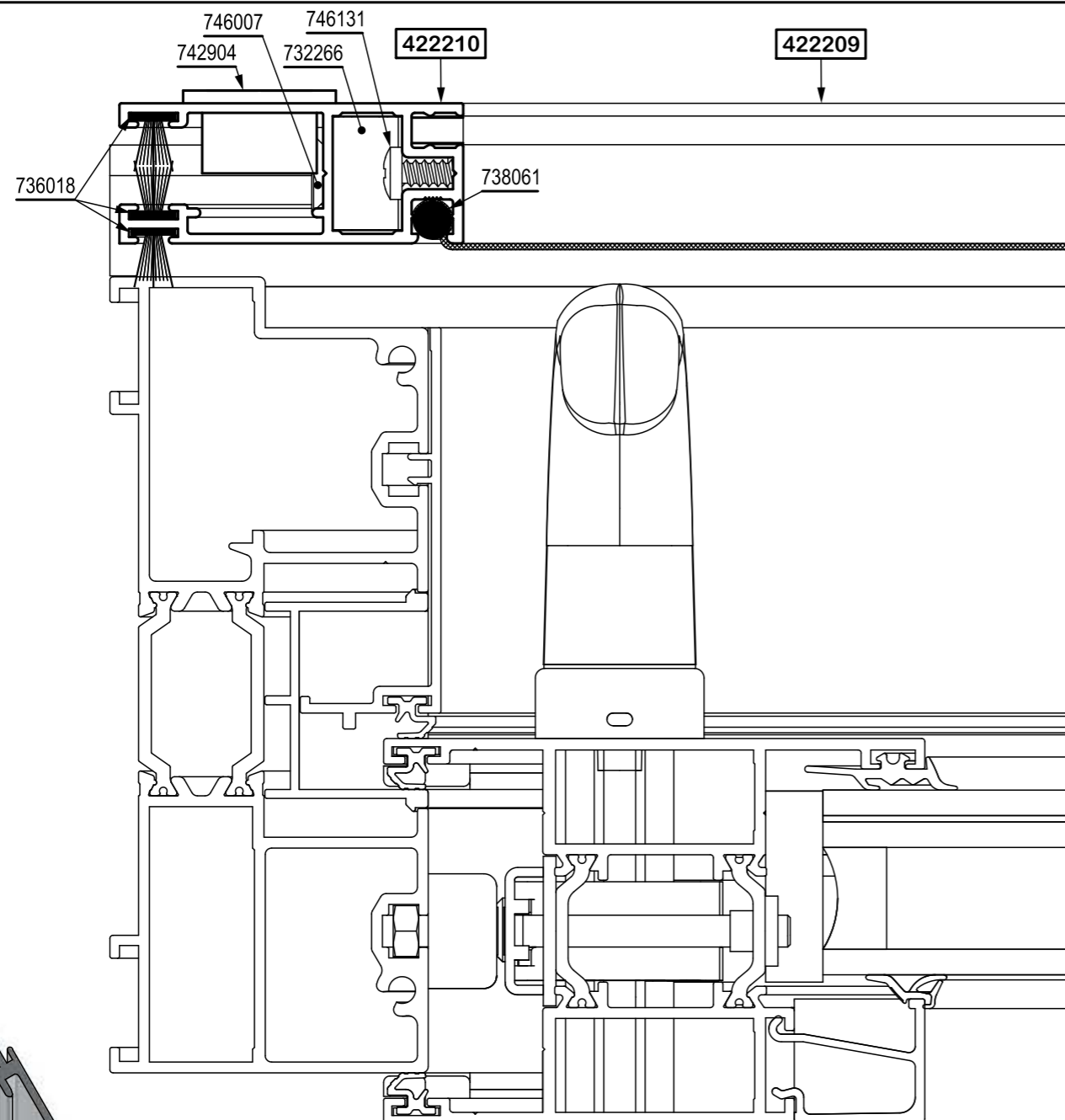


aluminiumsystemes@flandria.com
Tél. +03 (0)3 20 14 59 03

flandria est certifié :







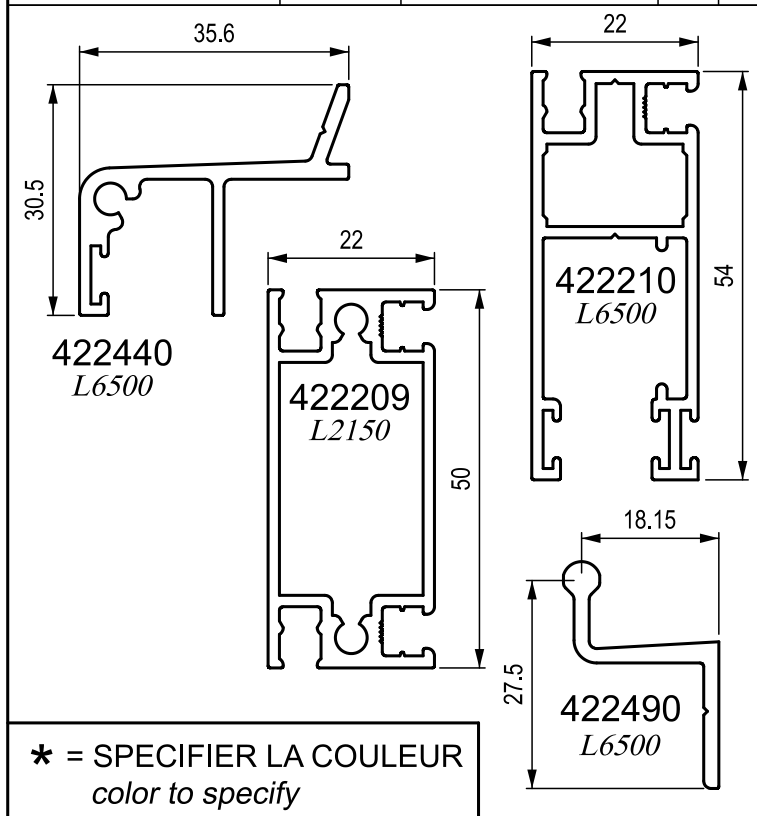
EQUERRES A SERTIR
clamp-corners

EQUERRE A VISSER
screw-corner



Moustiquaire Coulissante
Sliding flyscreen
" QUARTZ 125 "
coupe horizontale - horizontal section

Profil	Réf	Désignation	Lg	Qté	Accessoires	Réf	Désignation	Qté
	422209	TRAVERSE Tussenstijl Querprofil Transom Przewiazka	2150			732090	EQUERRE GUIDAGE Verstekhoek Eckverbinder Framing square Maly naroznik do skrzydla	
						732265	EQUERRE A SERTIR Klemhoek Eckverbinder Stanzbbar Clamping corner Naroznik do zacisk.	
	422210	DORMANT Kader Blendrahmen Frame Osciecznica	6500			732266	EQUERRE A VISSER Vijshoek Eckverbinder Schraubbar Screwing corner Naroznik do skrec.	
						736009	TAPIS 60 x 10 Tapijt 60 x 10 Matte 60 x 10 Carpet 60 x 10 Dywan 60 x 10	
	422440	RAIL HAUT Geleider boven Schiene oben Upper rail Szyrna gorna	6500			736018	BROSSE Trifin 7 x 7.5 Borstel Trifin 7 x 7.5 Bürste Trifin 7 x 7.5 Brush Trifin 7 x 7.5 Szczotka Trifin 7 x 7.5	
						737189 *	EMBOUT RAIL HAUT Eindplaat geleider boven Endstück Schiene oben End plate upper rail Nakladka szyna gorna	
	422490	RAIL BAS Geleider onder Schiene unten Under rail Szyrna dolna	6500			738061	JOINT Ø 6 Dichting Ø 6 Dichtung Ø 6 Gasket Ø 6 Uszczelka Ø 6	
						742904 *	CUVETTE Kongreep Griff Grip Pochwyt	



	742974	BOGIE Loopwagen Rolle Pulley Wozek
	746007 inox	VM TFHC M6 x 10 MV VBH M6 x 10 MS SIH M6 x 10 MS HSCS M6 x 10 Wkr. metr. M6 x 10
	746058 poz inox	VT TCBL Ø 4.85 x 13 PV PC Ø 4.85 x 13 BS L Ø 4.85 x 13 TS PH Ø 4.85 x 13 Wkret samogwint Ø 4.85 x 13
	746131 poz inox	VT TCBL Ø 4.2 x 25 PV PC Ø 4.2 x 25 BS L Ø 4.2 x 25 TS PH Ø 4.2 x 25 Wkret samogwint Ø 4.2 x 25
	746171 poz inox	VT autop. TCL-Z Ø 3.5 x 13 PV PC zelfbor. Ø 3.5 x 13 BS L Bohrschr. Ø 3.5 x 13 TS PH self-drilling Ø 3.5 x 13 VT samogwintujacy L Z Ø 3.5 x 13

* = SPECIFIER LA COULEUR
color to specify

A UTILISER EN CAS DE COMMANDE S.V.P.
to use in case of order please

DATE ET SIGNATURE :
date and signature :



Moustiquaire
Coulissante
" QUARTZ 125 "
profils / profiles
accessoires / hardware