

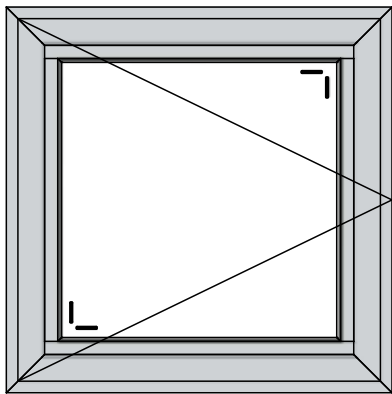
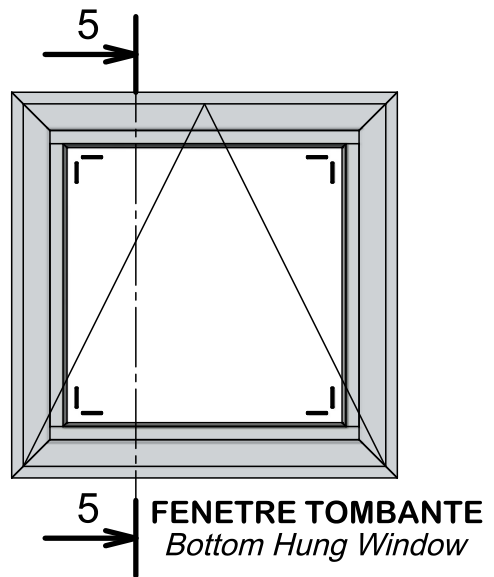
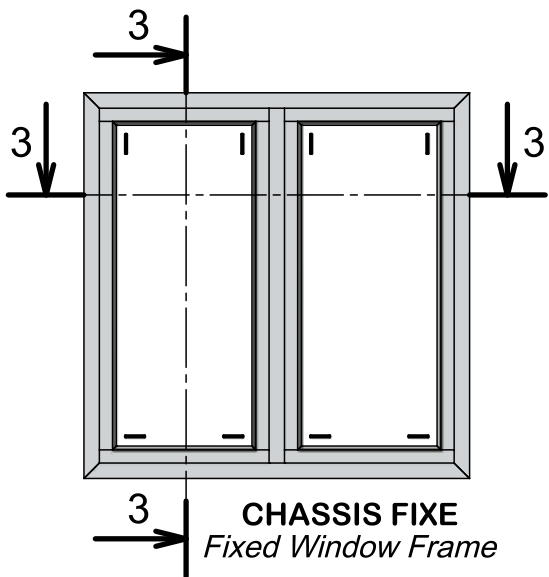
Fenêtres ALLURE 61 Windows



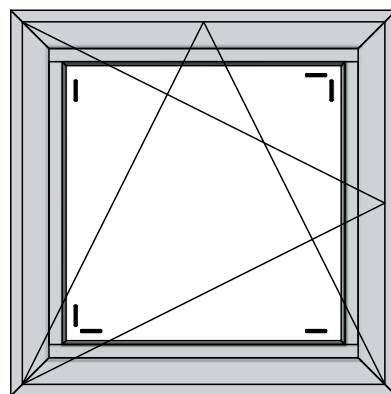
aluminiumsystemes@flandria.com
Tél. +03 (0)3 20 14 59 03

flandria est certifié :

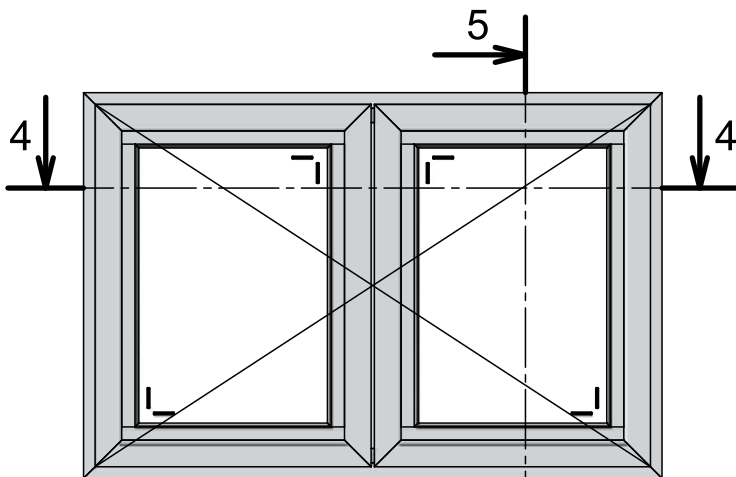




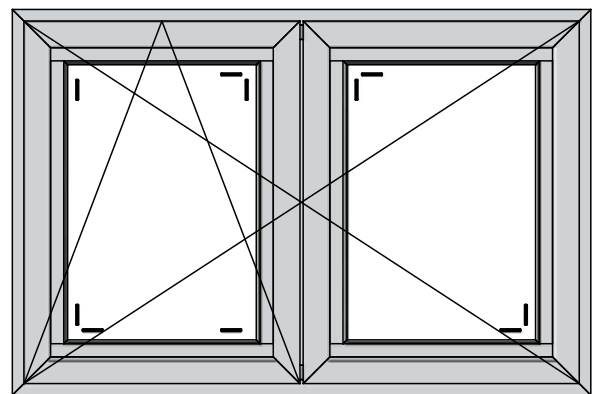
FENETRE OUVRANTE
Side-Hung Window



FENETRE OSCILLO BATTANTE
Turn and Tilt Window



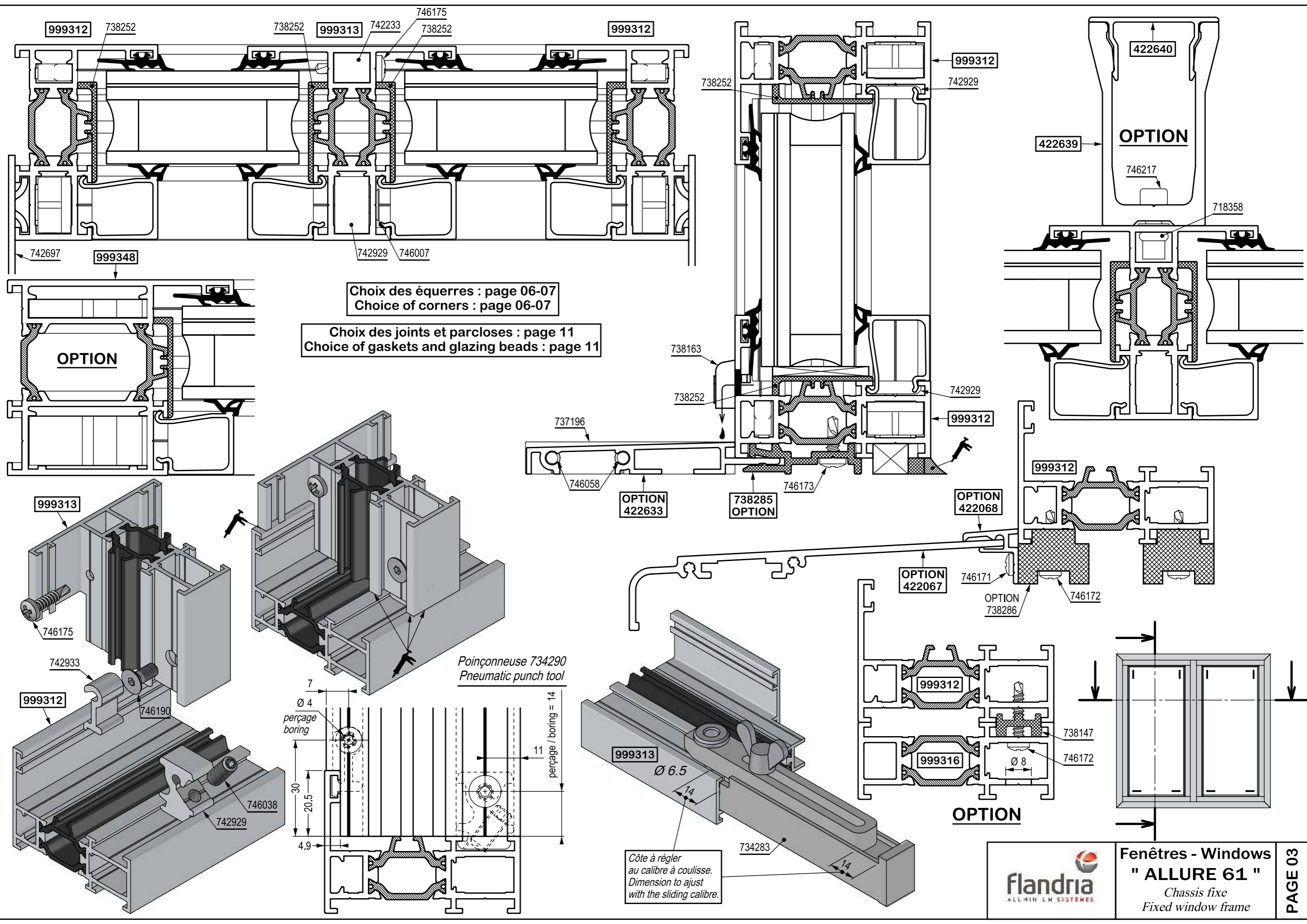
FENETRE A DEUX VANTAUX
Double Casement Window



FENETRE A DEUX VANTAUX DONT UN OSCILLO BATTANT
Double Casement Window With one Turn and Tilt Window

Le numéro de la coupe
indique la page correspondante

The section number
equals the page number



Choix des équerres : page 06-07
 Choice of corners : page 06-07

Choix des joints et parclozes : page 11
 Choice of gaskets and glazing beads : page 11

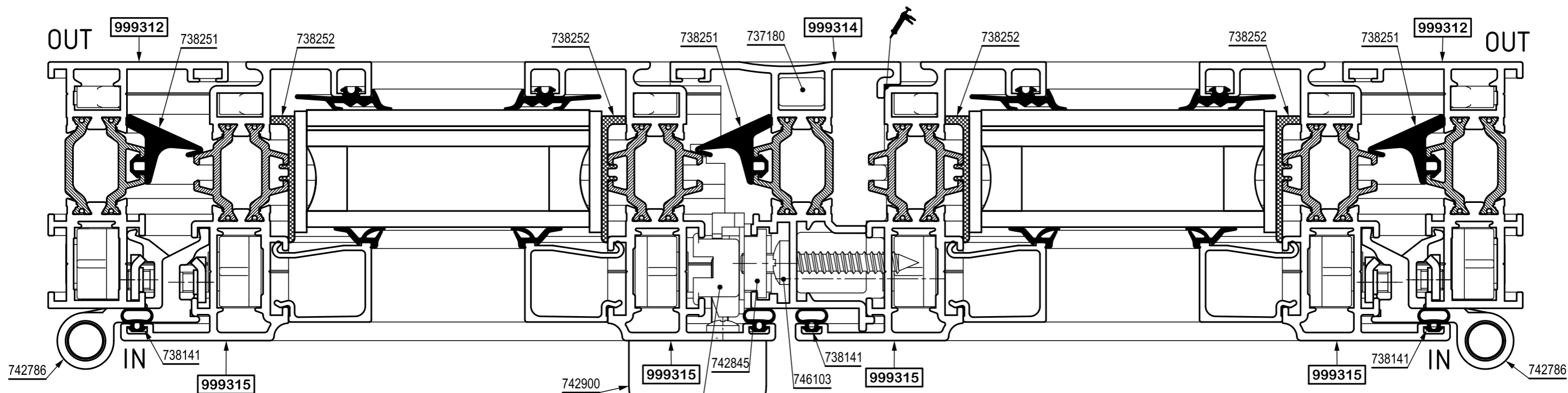
Poinçonneuse 734290
 Pneumatic punch tool

Côte à régler
 au calibre à coulisse.
 Dimension to adjust
 with the sliding calibre.



Fenêtres - Windows
 " ALLURE 61 "

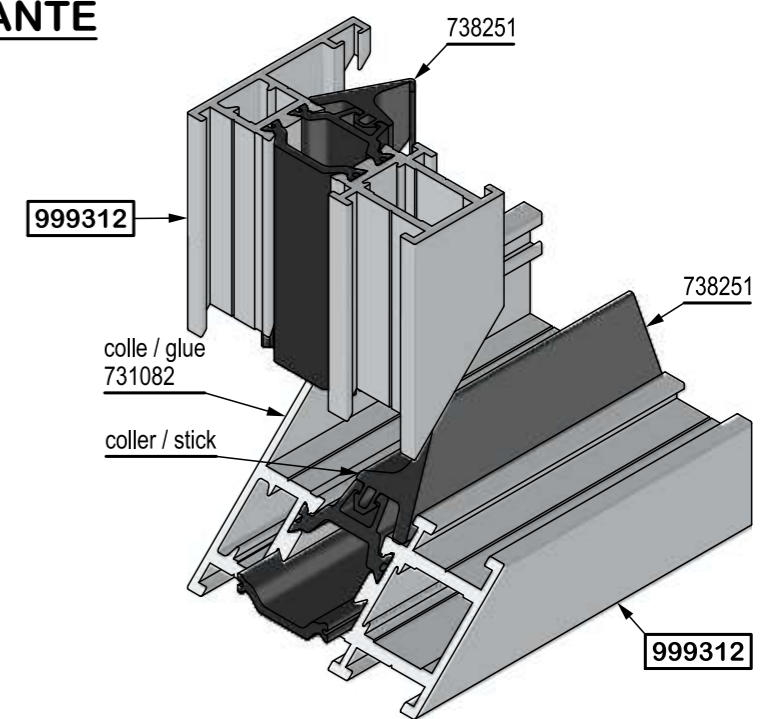
Chassis fixe
 Fixed window frame



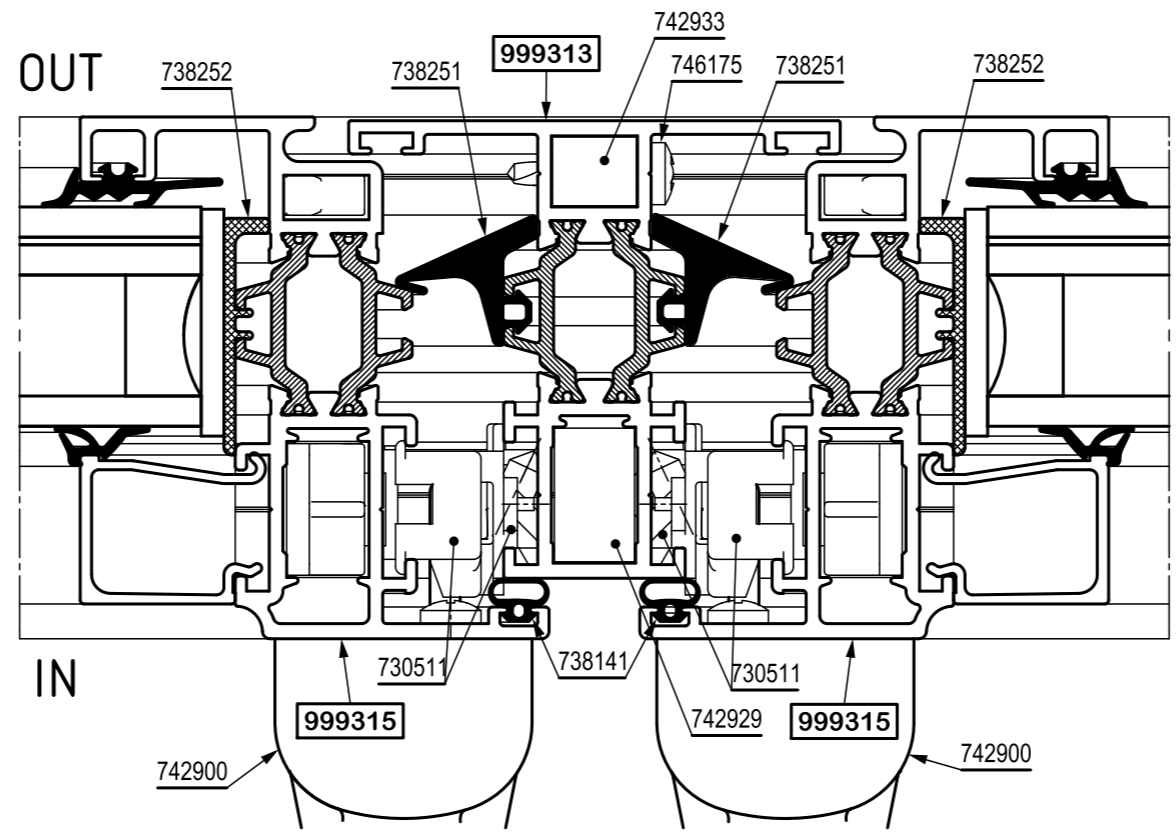
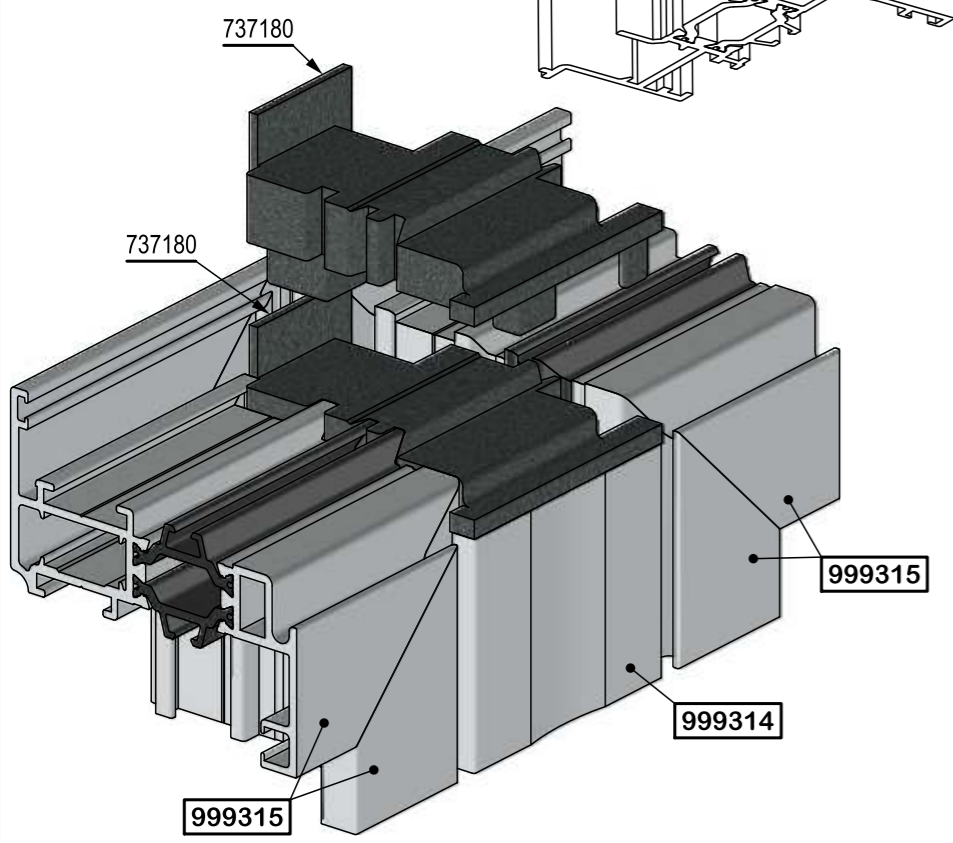
FENETRE à DEUX VANTAUX BATTANTE
Double casement - tilt window

Choix des joints et parcloles : page 11
 Choice of gaskets and glazing beads : page 11

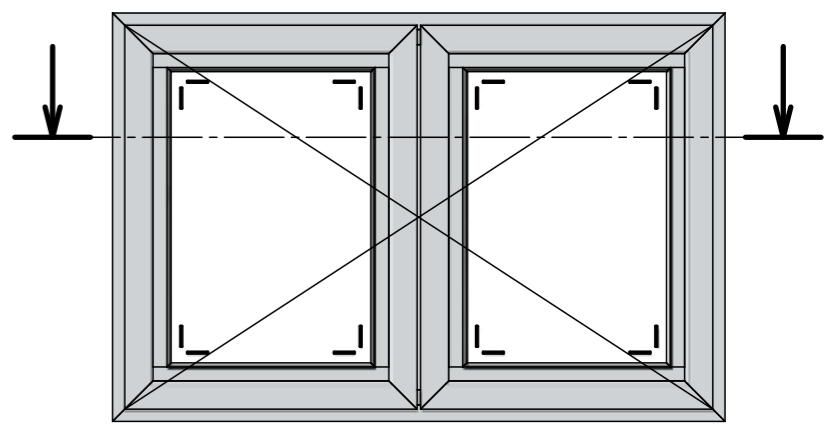
Choix des équerres : page 06-07
 Choice of corners : page 06-07



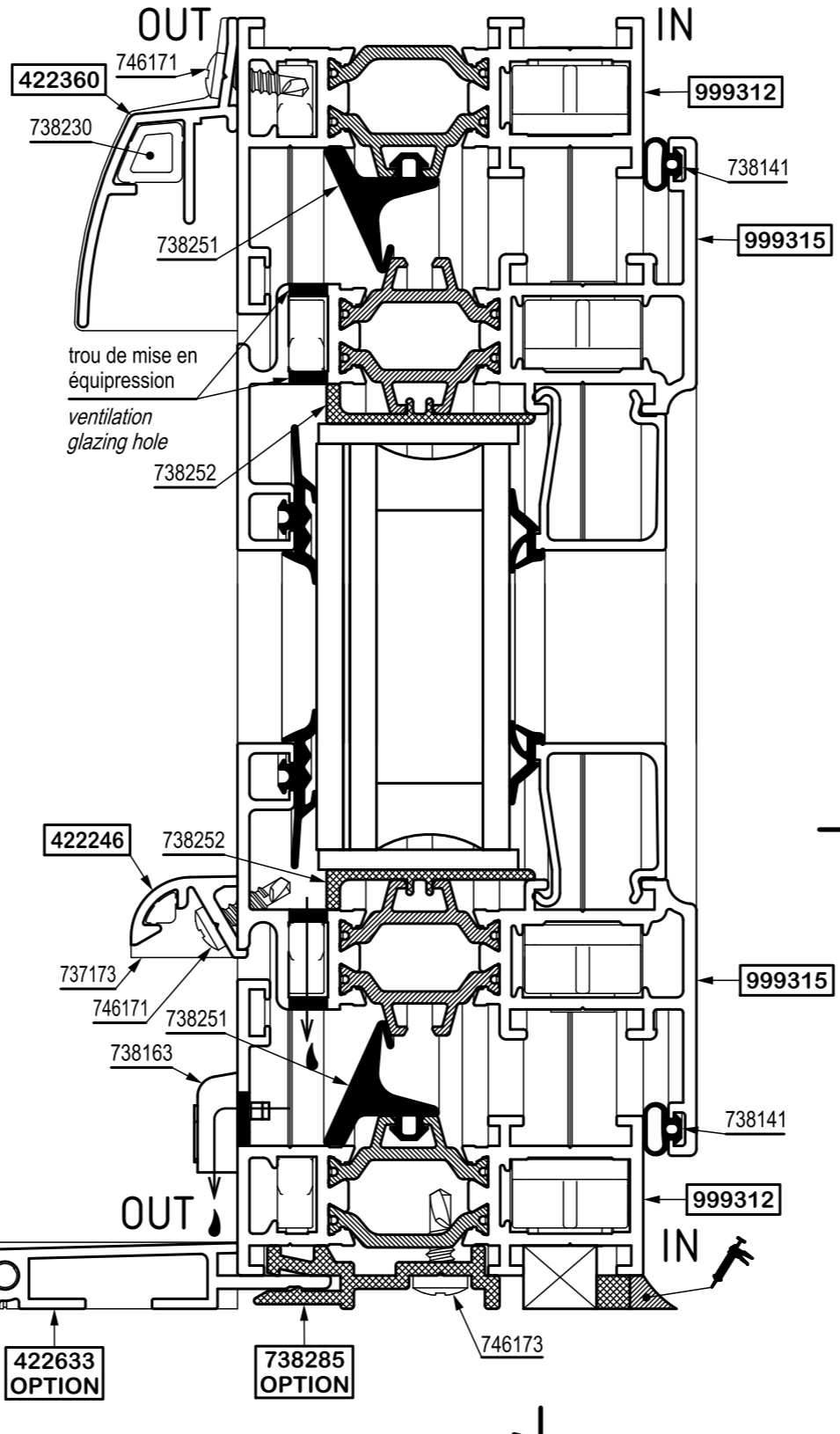
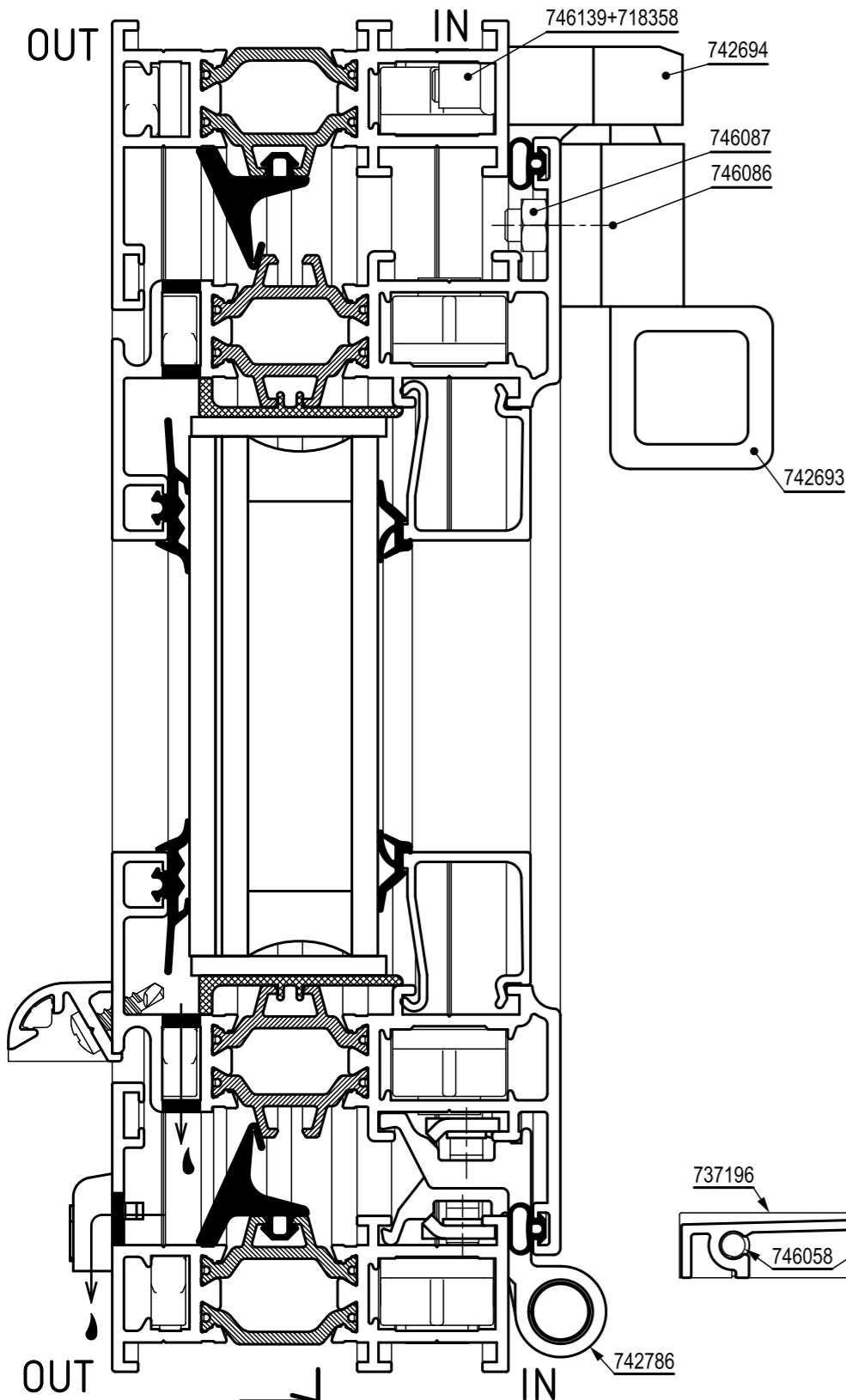
montage de l'embout
 de battement
*double casement
 sealing assembling*



FENETRE à DEUX VANTAUX
Double casement window

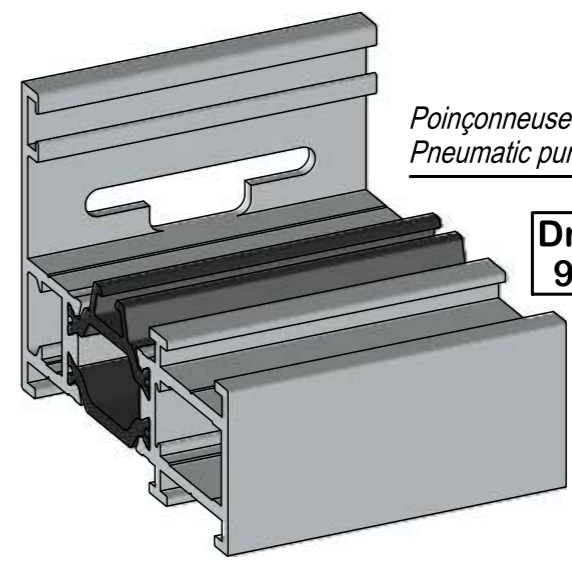
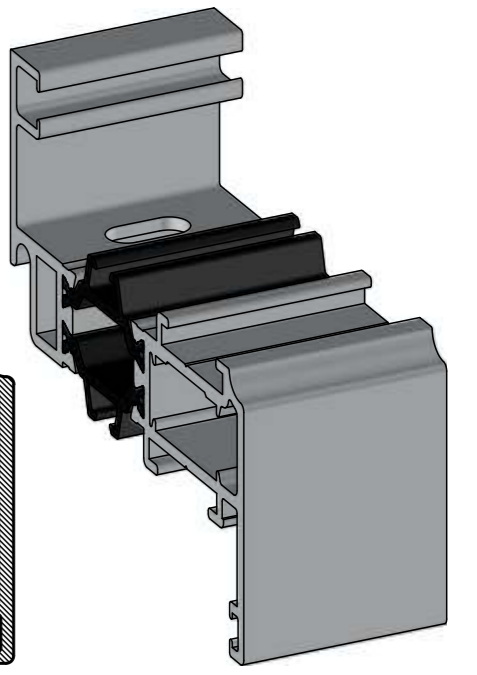
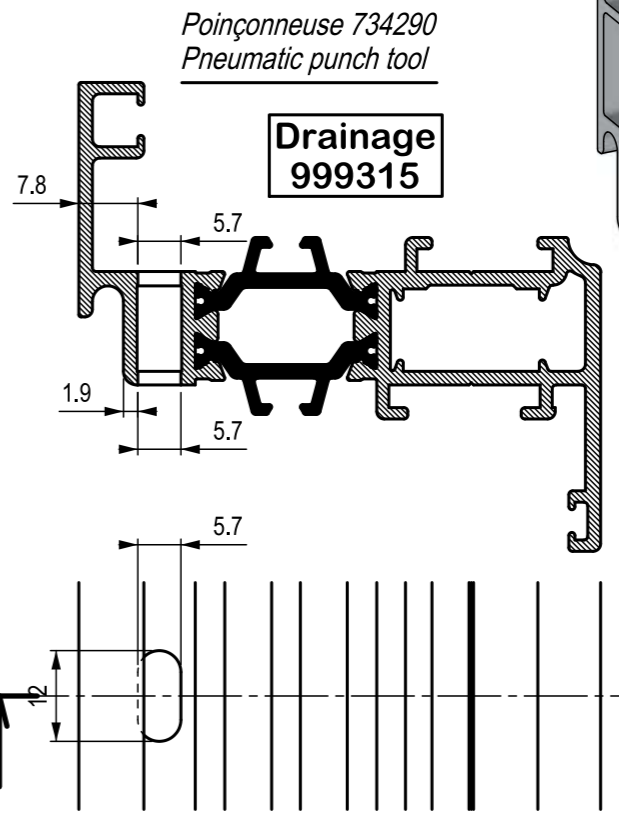


Fenêtres - Windows
" ALLURE 61 "
*Fenêtre ouvrante
 Side-hung window*

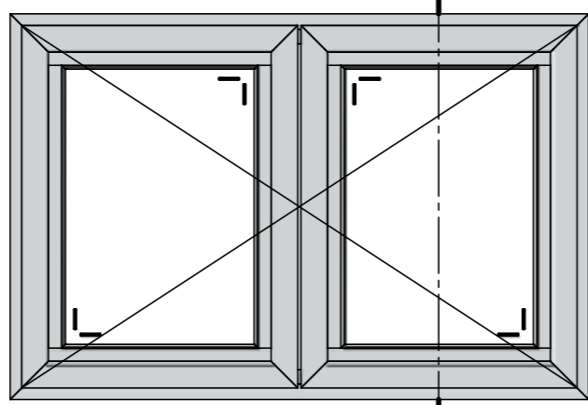
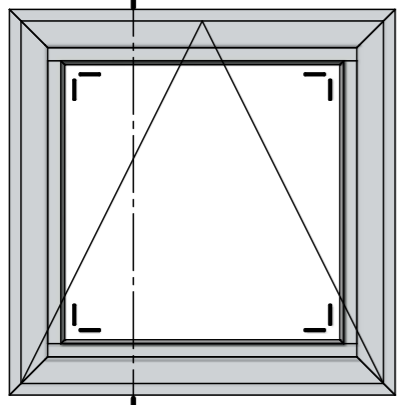
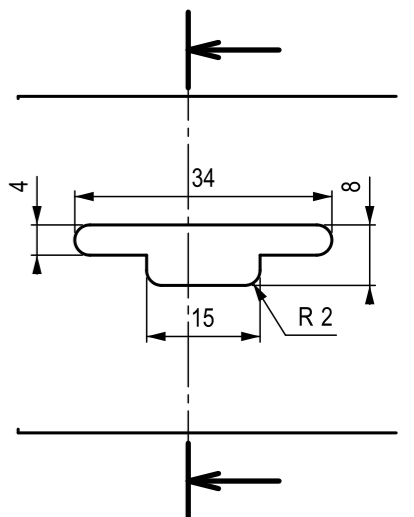


Choix des joints et parcloles : page 11
Choice of gaskets and glazing beads : page 11

Choix des équerres : page 06-07
Choice of corners : page 06-07



Drainage 999312



Fenêtres - Windows
" ALLURE 61 "
Fenêtre ouvrante
Side-hung window

Perçage / drilling Ø 6.5

999312

746007

732288

999312

732289

742932

746007

gabarit / jig
734282

A	B	C
55°	49.82	25.52
56°	49.52	25.73
57°	49.24	25.94
58°	48.96	26.14
59°	48.69	26.33
60°	48.43	26.52
61°	48.18	26.70
62°	47.93	26.88
63°	47.69	27.05
64°	47.46	27.22
65°	47.24	27.38
66°	47.02	27.54

A	B	C
67°	46.80	27.69
68°	46.60	27.84
69°	46.39	27.99
70°	46.20	28.13
71°	46	28.27
72°	45.82	28.41
73°	45.63	28.54
74°	45.45	28.67
75°	45.28	28.79
76°	45.11	28.92
77°	44.94	29.04
78°	44.78	29.16

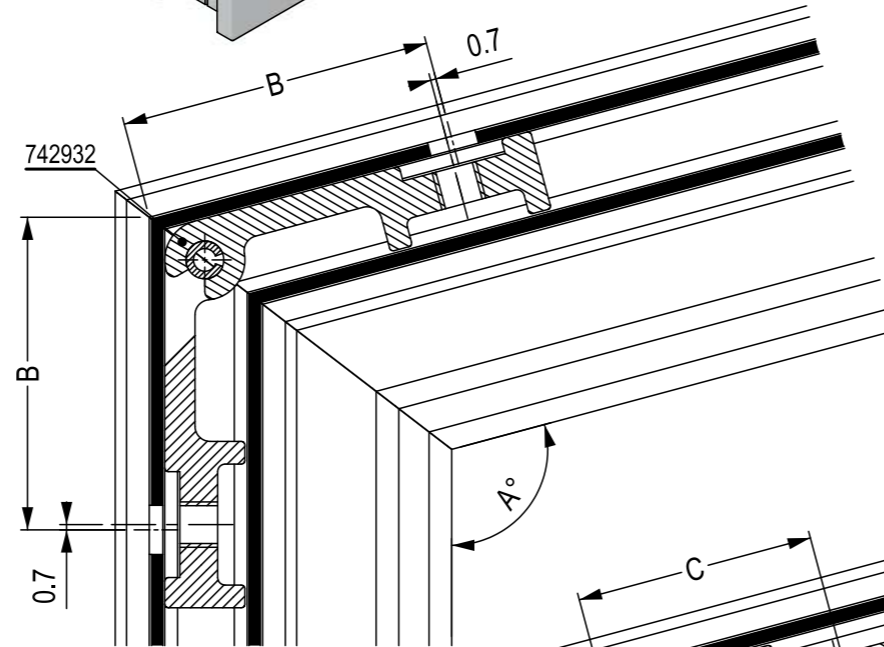
A	B	C
79°	44.62	29.27
80°	44.46	29.38
81°	44.31	29.49
82°	44.16	29.60
83°	44.01	29.71
84°	43.86	29.81
85°	43.72	29.92
86°	43.58	30.02
87°	43.45	30.11
88°	43.31	30.21
89°	43.18	30.31
90°	43.05	30.40

A	B	C
91°	42.92	30.49
92°	42.80	30.58
93°	42.67	30.67
94°	42.55	30.76
95°	42.44	30.84
96°	42.32	30.93
97°	42.20	31.01
98°	42.09	31.09
99°	41.98	31.17
100°	41.87	31.25
101°	41.76	31.33
102°	41.65	31.41

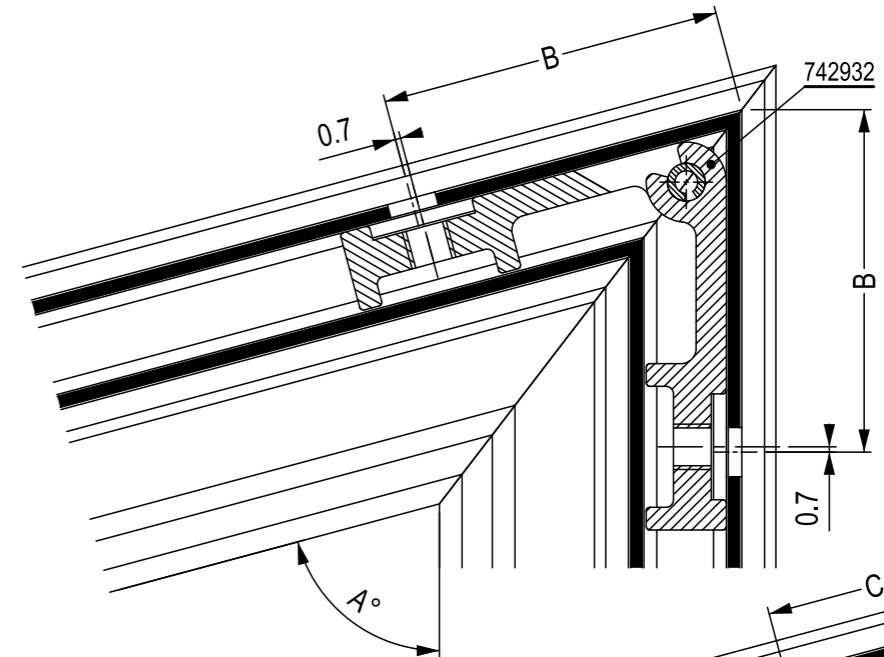
A	B	C
103°	41.55	31.48
104°	41.44	31.56
105°	41.34	31.63
106°	41.24	31.71
107°	41.14	31.78
108°	41.04	31.85
109°	40.94	31.92
110°	40.85	31.99
111°	40.75	32.06
112°	40.66	32.13
113°	40.56	32.19
114°	40.47	32.26

A	B	C
115°	40.38	32.32
116°	40.29	32.39
117°	40.20	32.45
118°	40.12	32.52
119°	40.03	32.58
120°	39.94	32.64
121°	39.86	32.70
122°	39.77	32.76
123°	39.69	32.82
124°	39.61	32.88
125°	39.53	32.94

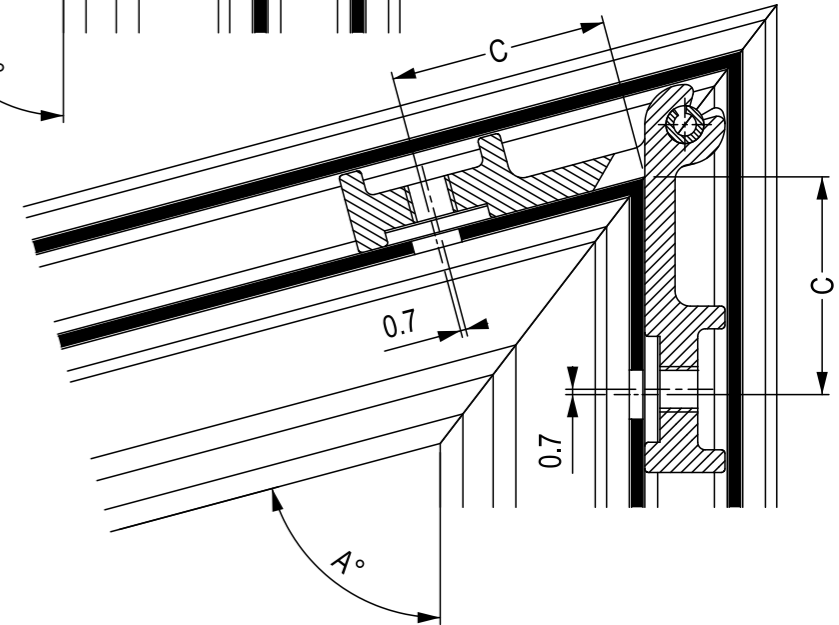
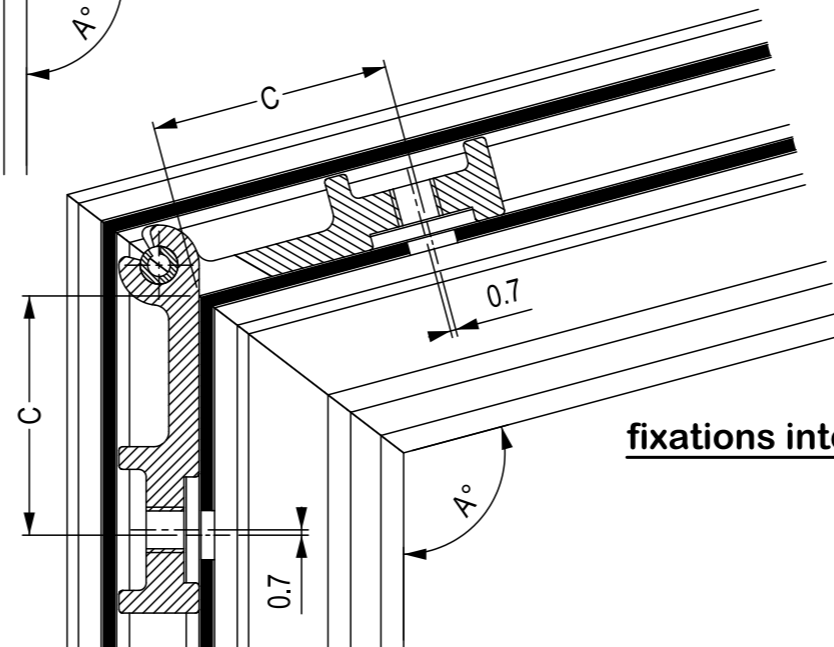
fixations extérieures



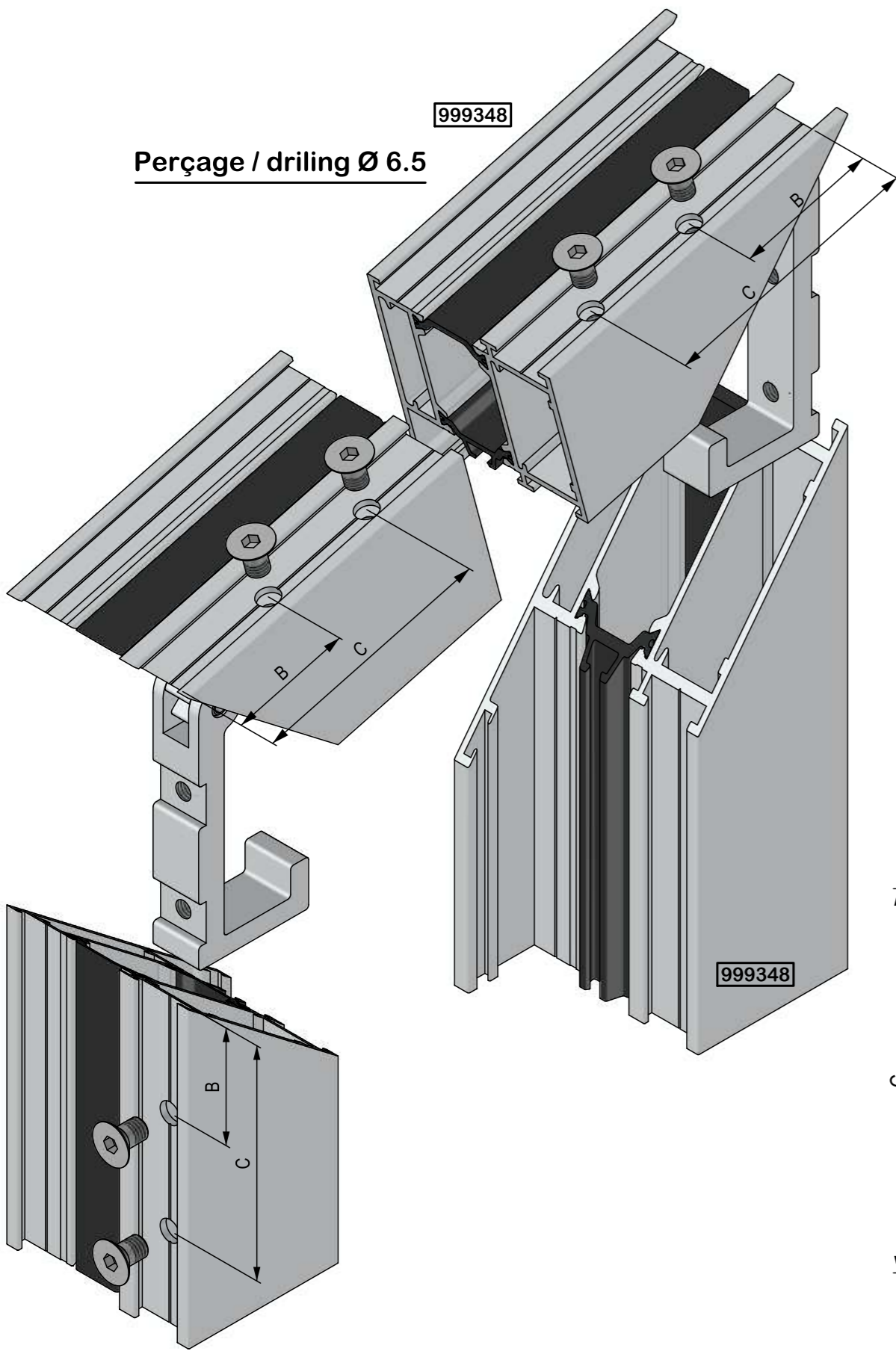
Echelle 1:1



fixations intérieures



Fenêtres - Windows
" ALLURE 61 "
assemblage trapèze dormant 24
trapezium frame 24 assembling



A	B	C
55°	44.95	78.95
56°	44.57	78.57
57°	44.20	78.20
58°	43.84	77.84
59°	43.49	77.49
60°	43.15	77.15
61°	42.83	76.83
62°	42.51	76.51
63°	42.20	76.20
64°	41.90	75.90
65°	41.61	75.61
66°	41.33	75.33

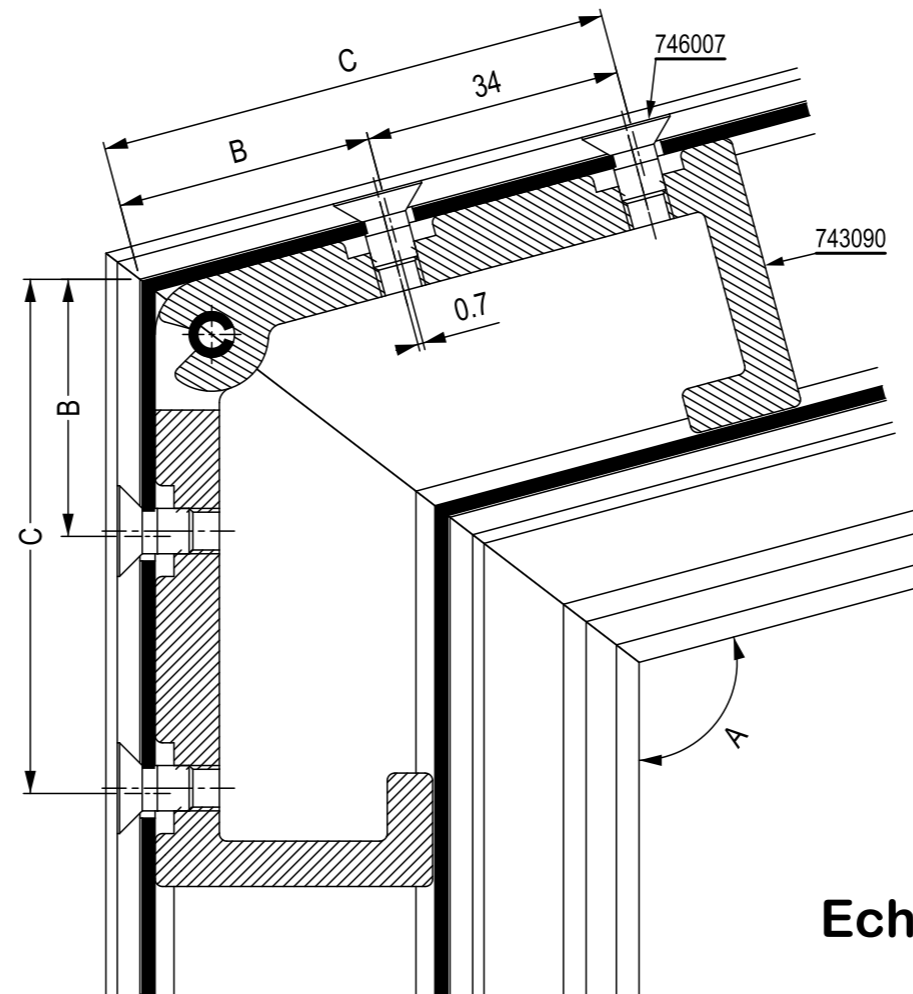
A	B	C
67°	41.05	75.05
68°	40.78	74.78
69°	40.52	74.52
70°	40.27	74.27
71°	40.02	74.02
72°	39.78	73.78
73°	39.54	73.54
74°	39.31	73.31
75°	39.08	73.08
76°	38.86	72.86
77°	38.64	72.64
78°	38.43	72.43

A	B	C
79°	38.22	72.22
80°	38.02	72.02
81°	37.82	71.82
82°	37.63	71.63
83°	37.44	71.44
84°	37.25	71.25
85°	37.07	71.07
86°	36.89	70.89
87°	36.71	70.71
88°	36.54	70.54
89°	36.37	70.37
90°	36.20	70.20

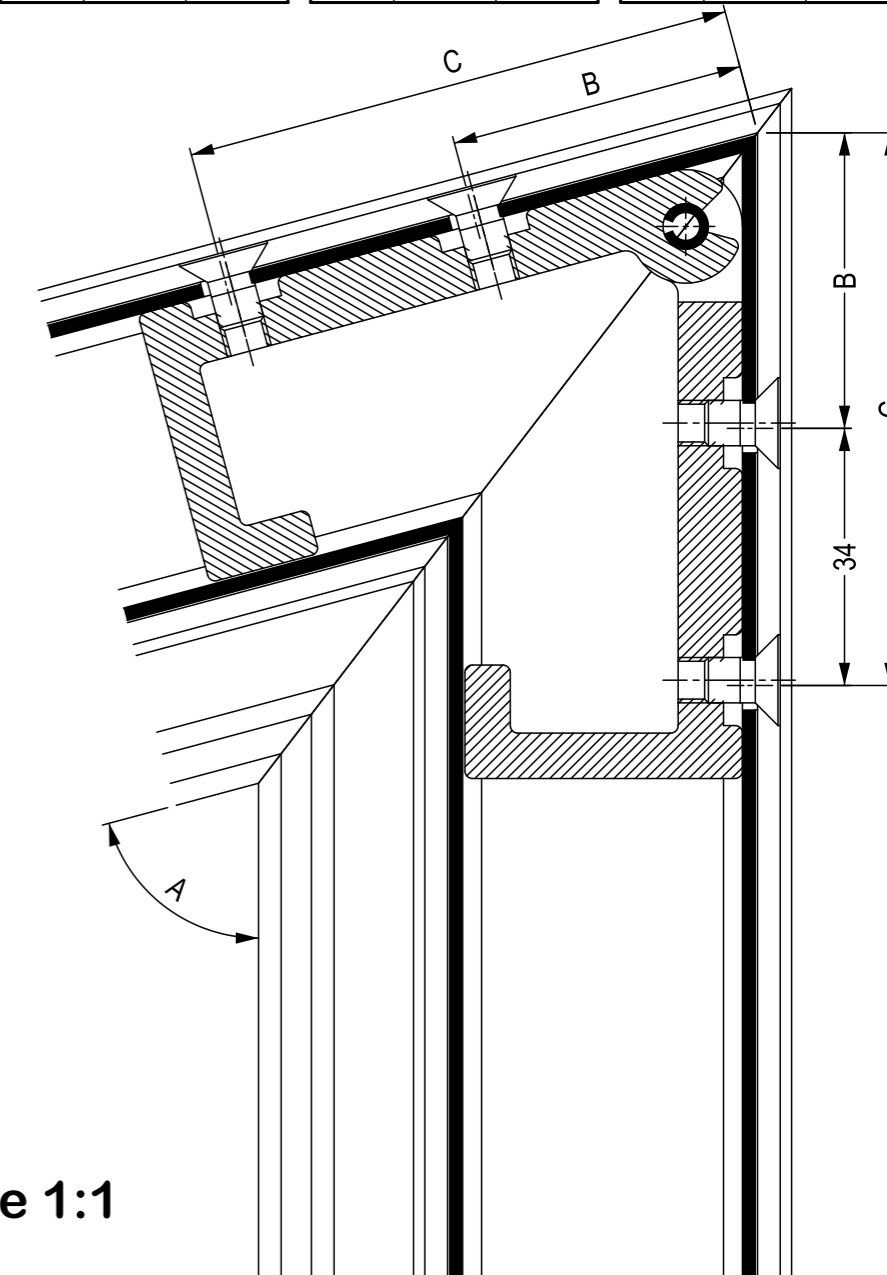
A	B	C
91°	36.04	70.04
92°	35.87	69.87
93°	35.72	69.72
94°	35.56	69.56
95°	35.41	69.41
96°	35.25	69.25
97°	35.10	69.10
98°	34.96	68.96
99°	34.81	68.81
100°	34.67	68.67
101°	34.53	68.53
102°	34.39	68.39

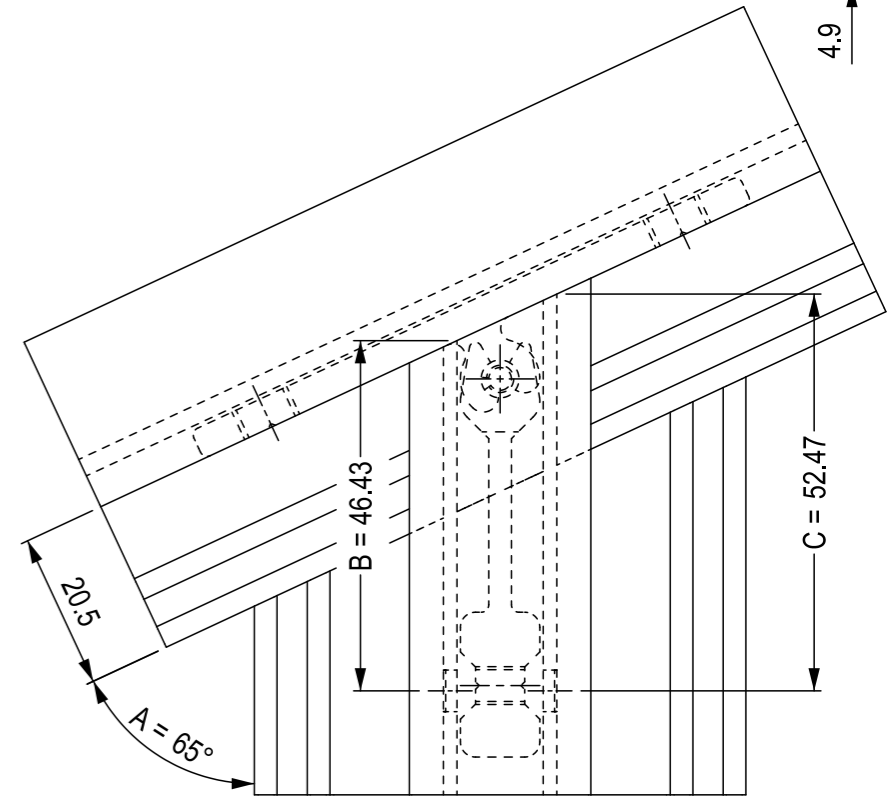
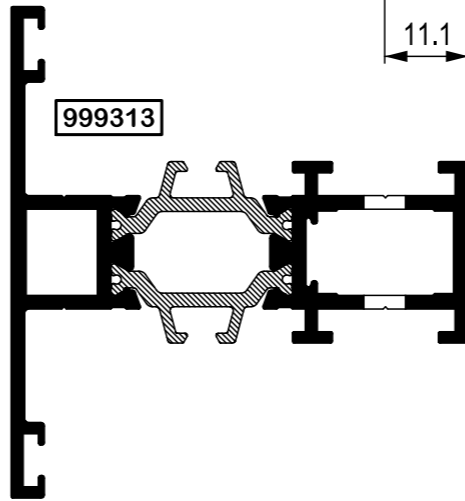
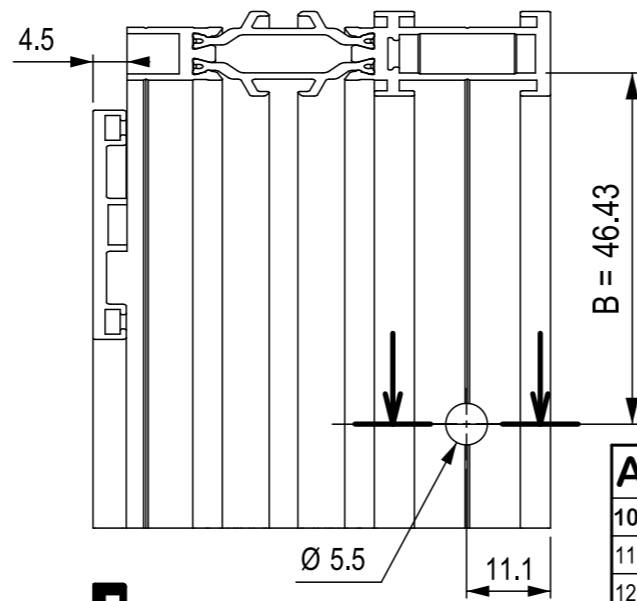
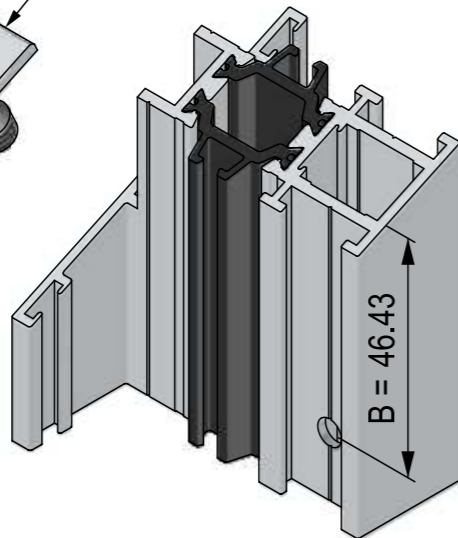
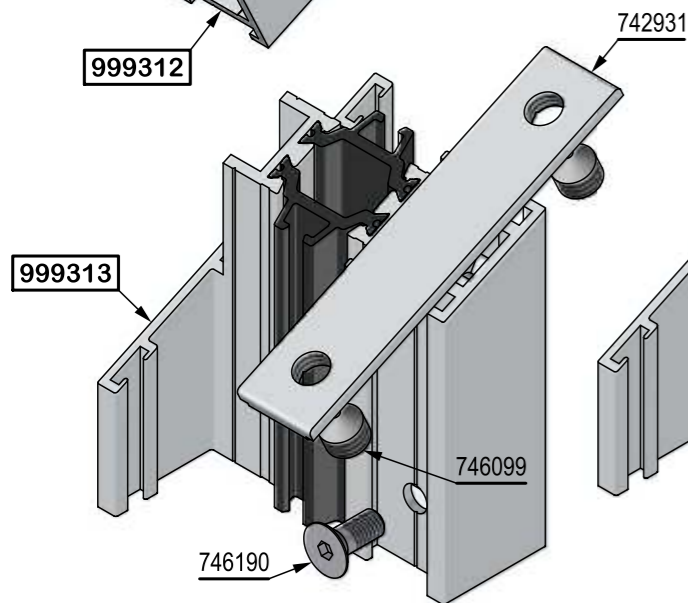
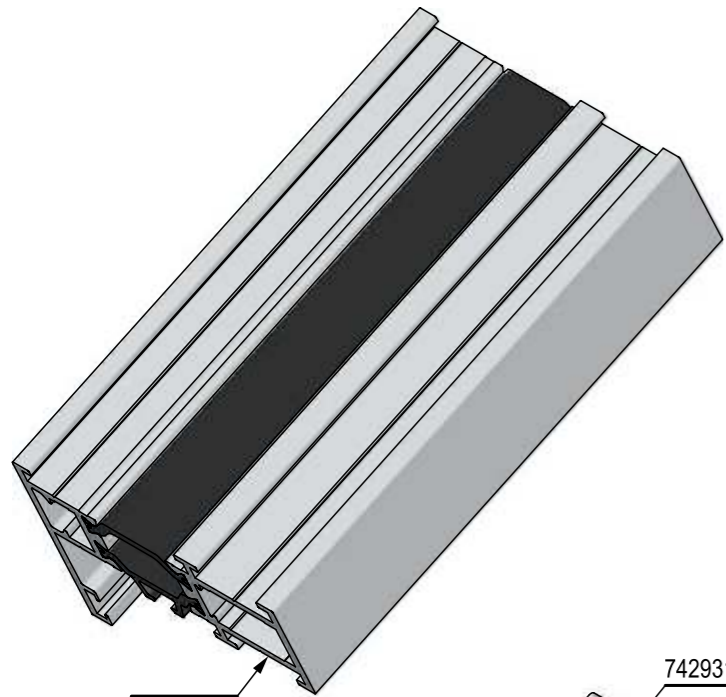
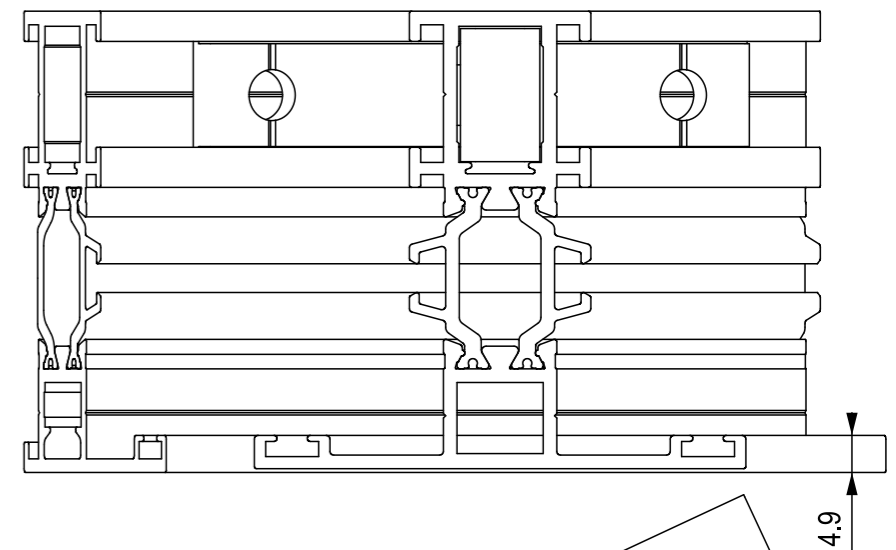
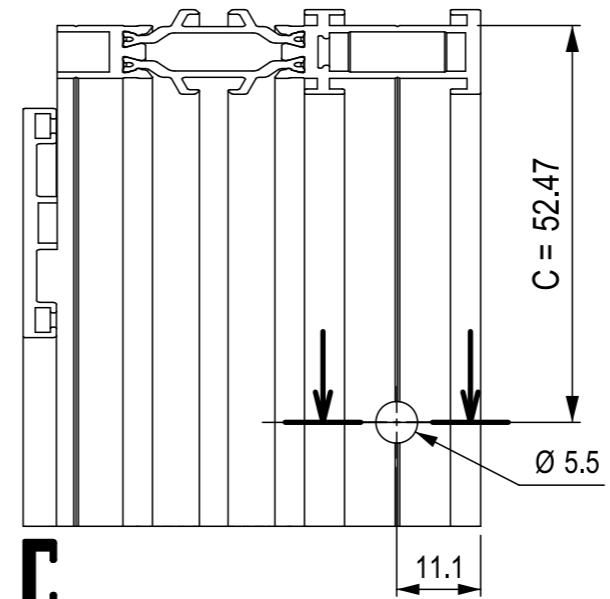
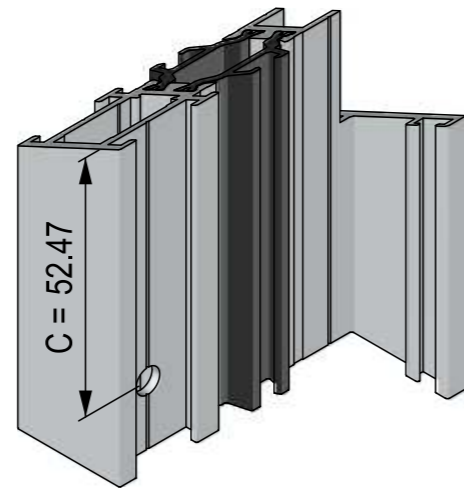
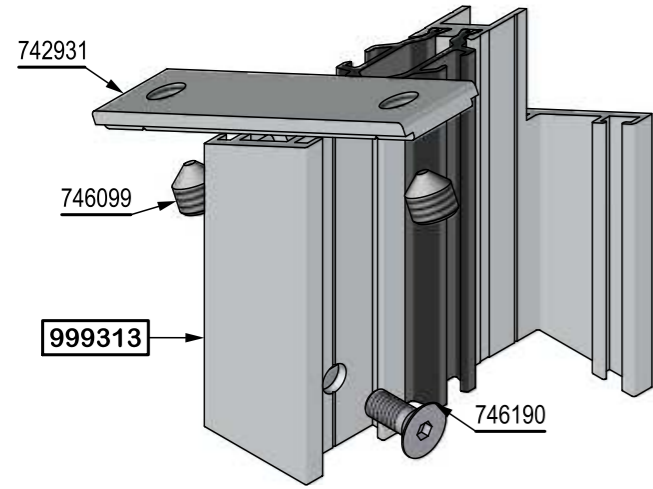
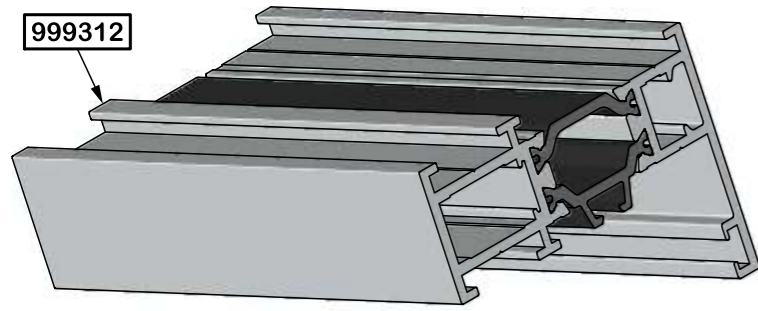
A	B	C
103°	34.26	68.26
104°	34.12	68.12
105°	33.99	67.99
106°	33.86	67.86
107°	33.73	67.73
108°	33.60	67.60
109°	33.48	67.48
110°	33.35	67.35
111°	33.23	67.23
112°	33.11	67.11
113°	32.99	66.99
114°	32.87	66.87

A	B	C
115°	32.75	66.75
116°	32.64	66.64
117°	32.52	66.52
118°	32.41	66.41
119°	32.30	66.30
120°	32.18	66.18
121°	32.07	66.07
122°	31.97	65.97
123°	31.86	65.86
124°	31.75	65.75
125°	31.65	65.65



Echelle 1:1

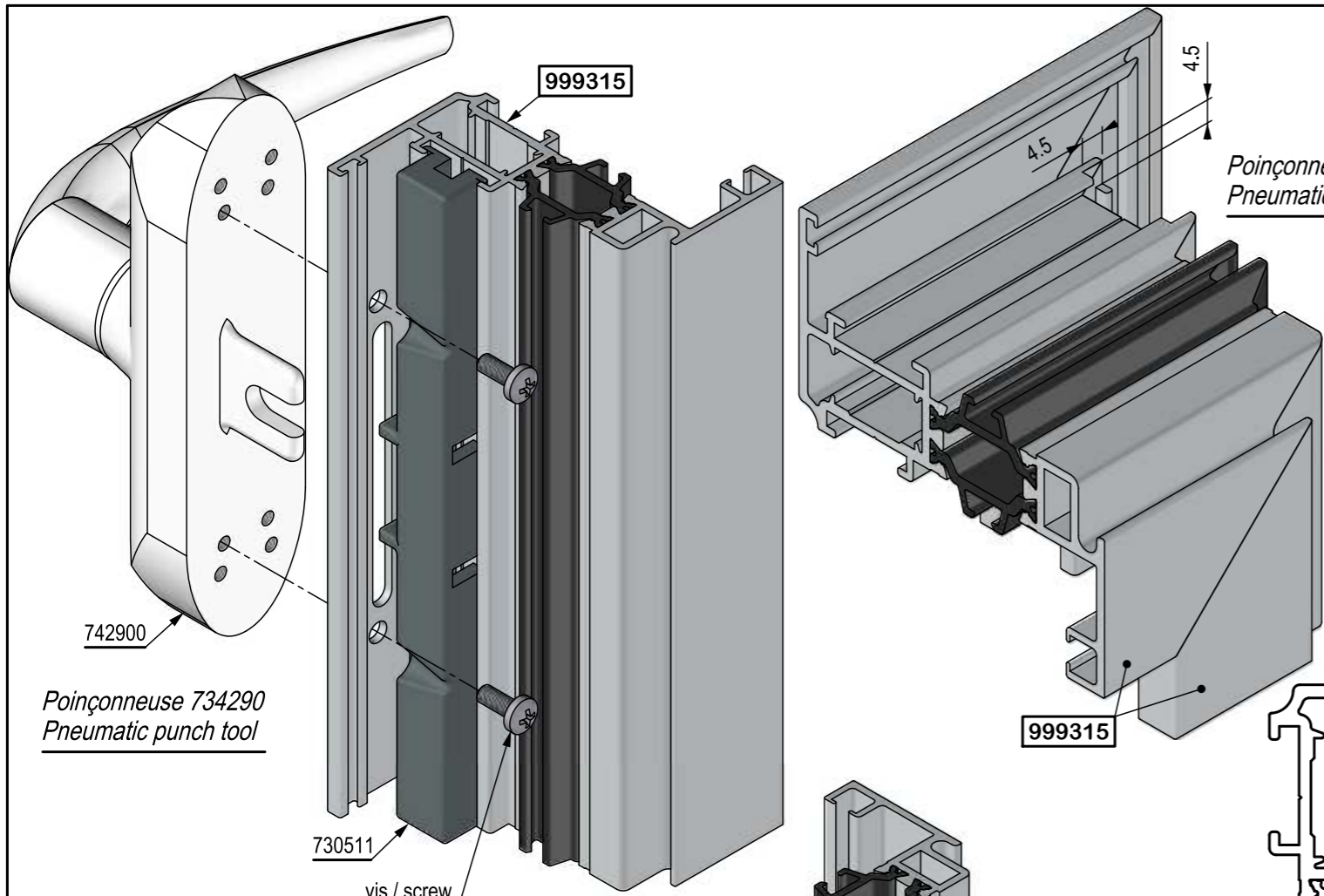




$$B = 41.25 + [7 * \cos(90 - A)] - [5.45 * \tan(90 - A)]$$

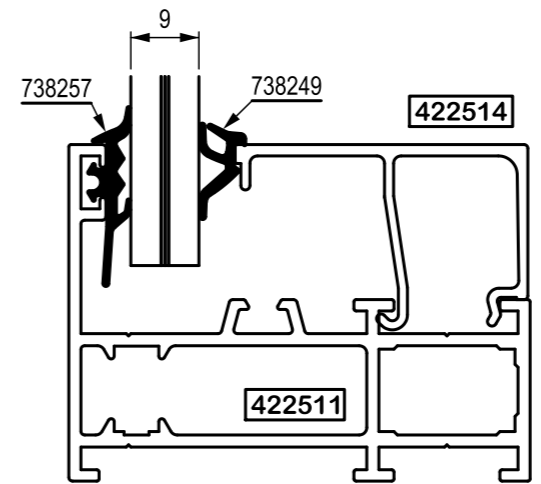
$$C = 41.25 + [7 * \cos(90 - A)] - [7.5 * \tan(90 - A)]$$

A	B	C	A	B	C	A	B	C	A	B	C	A	B	C	A	B	C	A	B	C			
10°	50.65	124.1	20°	46.74	82.32	30°	45.81	68.24	40°	45.65	61.08	50°	45.81	56.68	60°	46.19	53.66	70°	46.72	51.43	80°	47.4	49.68
11°	49.9	116.52	21°	46.59	80.32	31°	45.77	67.32	41°	45.65	60.55	51°	45.84	56.33	61°	46.23	53.41	71°	46.78	51.24	81°	47.47	49.53
12°	49.28	110.2	22°	46.45	78.5	32°	45.74	66.46	42°	45.66	60.04	52°	45.88	55.99	62°	46.28	53.17	72°	46.84	51.05	82°	47.55	49.37
13°	48.76	104.85	23°	46.33	76.83	33°	45.71	65.65	43°	45.67	59.56	53°	45.91	55.67	63°	46.33	52.93	73°	46.9	50.86	83°	47.63	49.22
14°	48.33	100.27	24°	46.22	75.31	34°	45.69	64.89	44°	45.68	59.09	54°	45.94	55.35	64°	46.38	52.7	74°	46.97	50.68	84°	47.72	49.08
15°	47.96	96.29	25°	46.13	73.9	35°	45.67	64.17	45°	45.7	58.65	55°	45.98	55.05	65°	46.43	52.47	75°	47.04	50.51	85°	47.8	48.93
16°	47.64	92.8	26°	46.04	72.6	36°	45.66	63.48	46°	45.72	58.22	56°	46.02	54.75	66°	46.49	52.25	76°	47.11	50.33	86°	47.89	48.79
17°	47.37	89.72	27°	45.97	71.39	37°	45.65	62.83	47°	45.74	57.82	57°	46.06	54.47	67°	46.54	52.04	77°	47.18	50.17	87°	47.97	48.65
18°	47.13	86.99	28°	45.91	70.27	38°	45.64	62.22	48°	45.76	57.42	58°	46.1	54.19	68°	46.6	51.83	78°	47.25	50	88°	48.06	48.52
19°	46.92	84.53	29°	45.86	69.22	39°	45.64	61.63	49°	45.79	57.04	59°	46.14	53.92	69°	46.66	51.63	79°	47.32	49.84	89°	48.16	48.38
																					90°	48.25	48.25



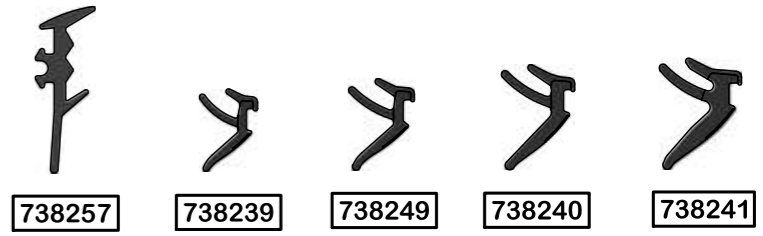
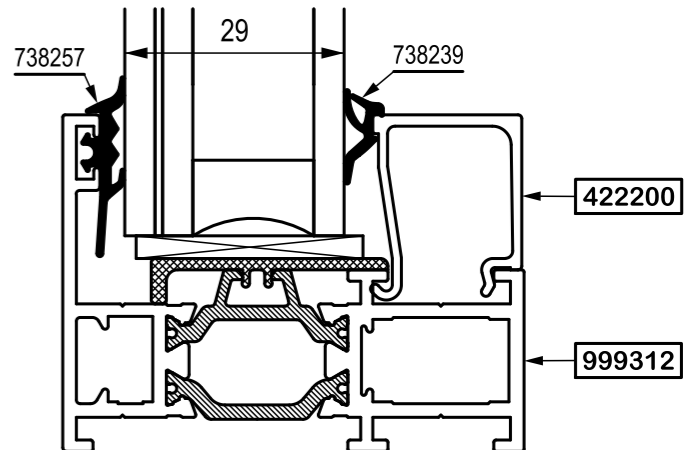
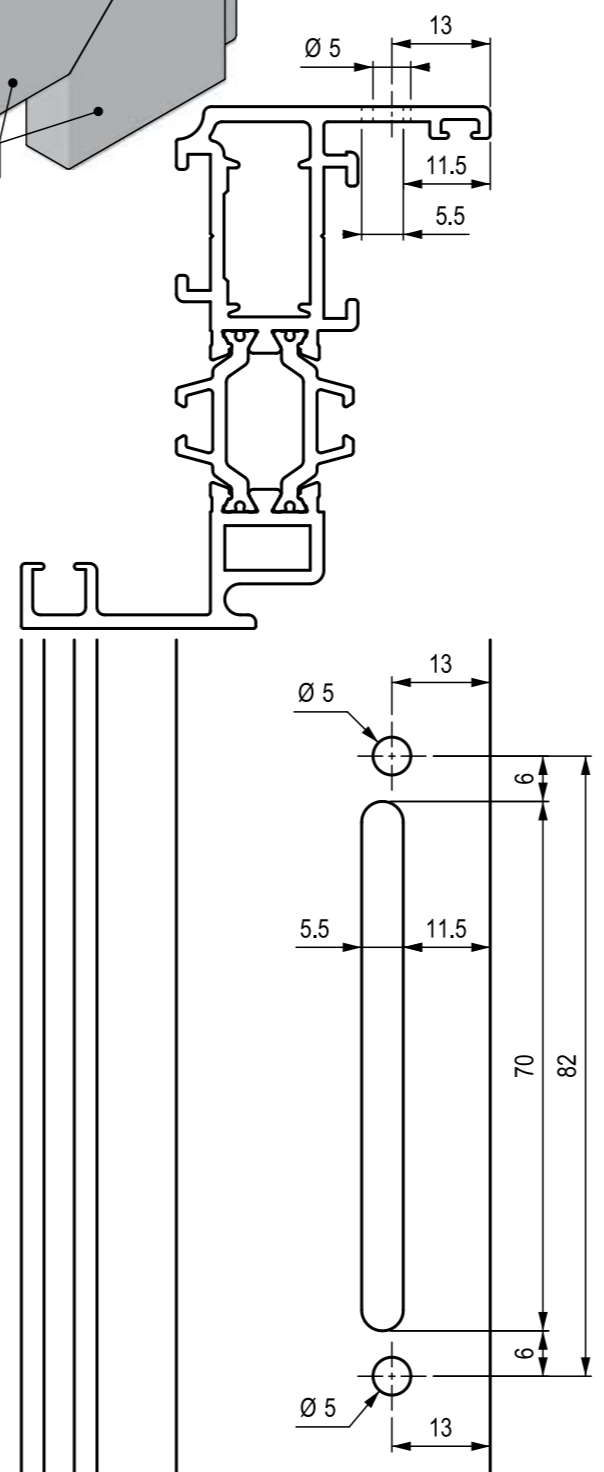
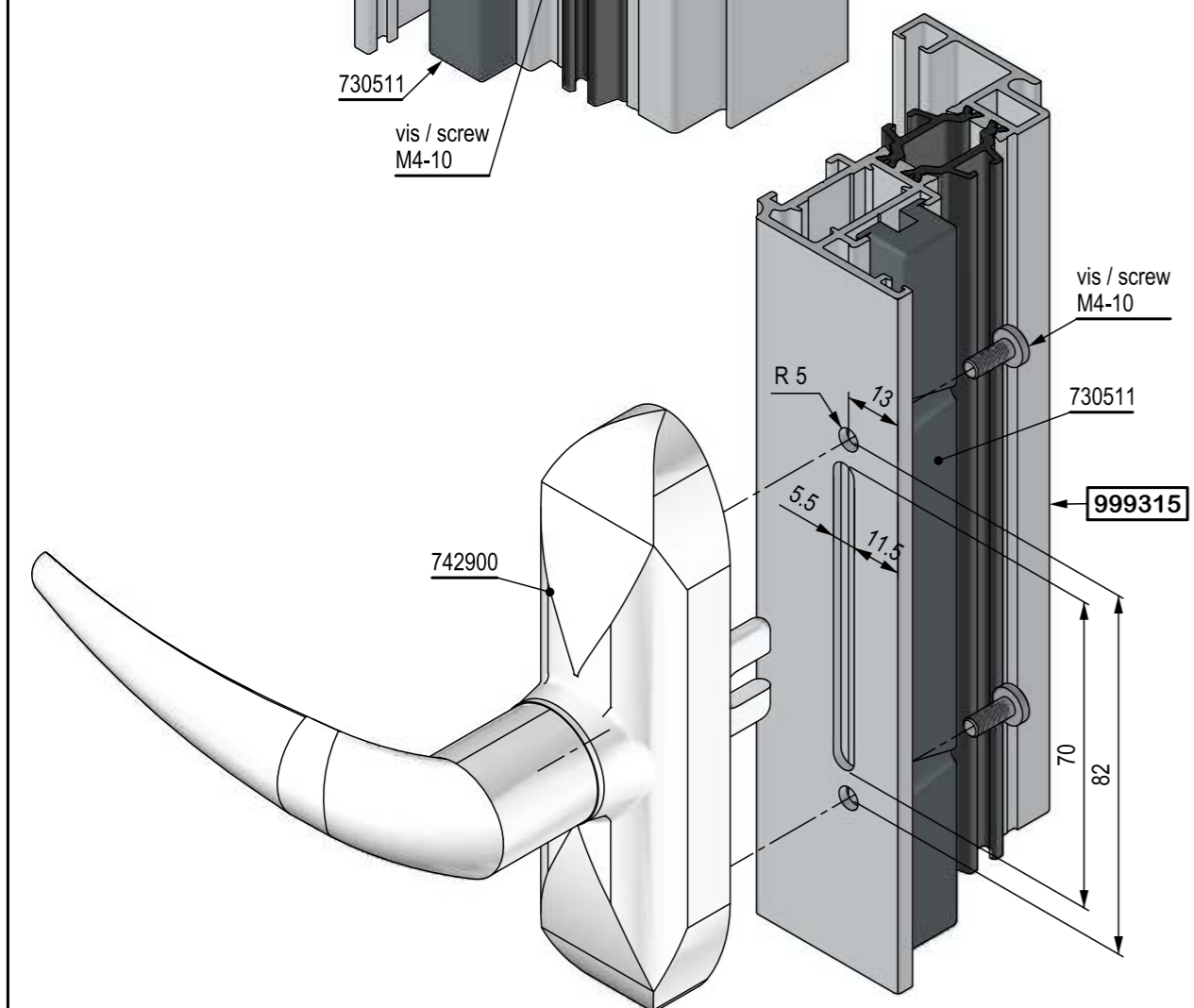
Poinçonneuse 734290
Pneumatic punch tool

vitrage glazing	parclose glazing bead	joint int. gasket in.	joint ext. gasket out.
7		738241	
8	422514	738240	738257
9		738249	



SIMPLE VITRAGE
single glazing

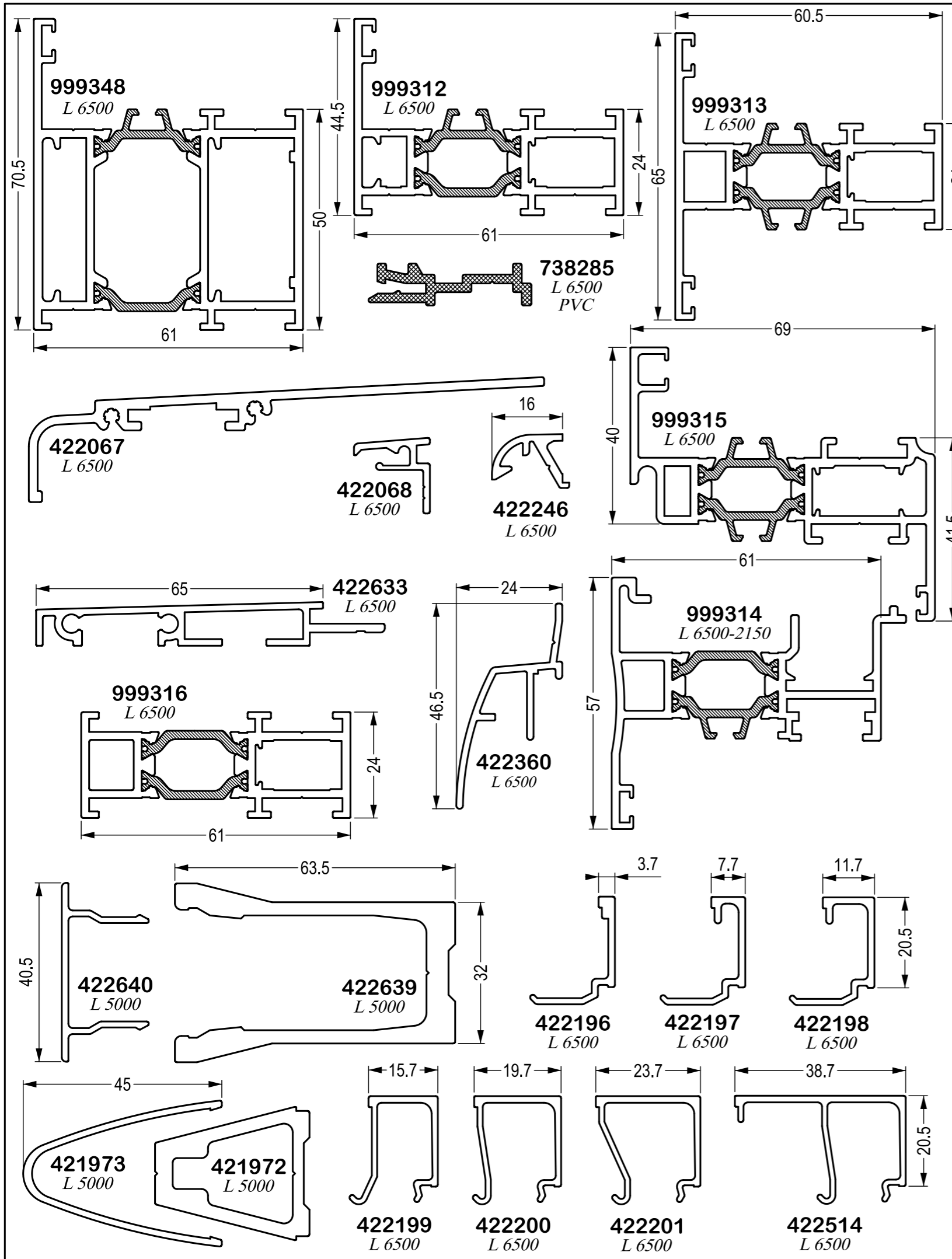
vitrage glazing	parclose glazing bead	joint int. gasket in.	joint ext. gasket out.
23		738240	
24	422201	738249	
25		738239	
26		738241	
27	422200	738240	
28		738249	
29		738239	
30		738241	
31	422199	738240	
32		738249	
33		738239	
34		738241	738257
35	422198	738240	
36		738249	
37		738239	
38		738241	
39	422197	738240	
40		738249	
41		738239	
42		738241	
43	422196	738240	
44		738249	
45		738239	



Pour plus d'informations sur les fermetures, nous contacter
Kindly contact us for any request concerning locks and bolts



Fenêtres - Windows
" ALLURE 61 "
 Choix des joints et parclose - Usinages
 Choice of gaskets and glazing beads - Machining

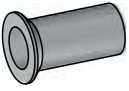


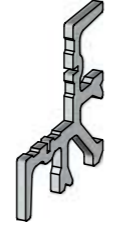



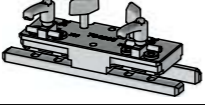
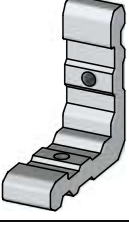
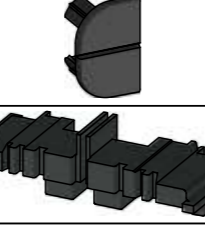





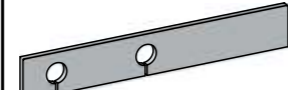





SOCIETE / company : N° CLIENT / customer :					CHANTIER / site : COULEUR / color :				
Profil	Réf	Désignation	Lg	Qté	Profil	Réf	Désignation	Lg	Qté
	421972 brut mill finish	RAIDISSEUR Versterking Verstärkung Reinforcer Wzmocnienie szykany	5000			422514	PARCLOSE 39 Glaslat 39 Glasleiste 39 Glazing Bead 39 Listwa przyszybowa 39	6500	
	421973	CAPOT RAIDISSEUR Kap versterking Kappe Verstärkung Cover reinforcer Wzmocnienie szykany	5000			422633	BAVETTE Drempe Traufplatte Mudguard Okapnik	6500	
	422067	BAVETTE Drempe Traufplatte Mudguard Okapnik	6500			422639	RAIDISSEUR Versterking Verstärkung Reinforcer Wzmocnienie szykany	5000	
	422068	SUPPORT BAVETTE Steun drempe Stütze Traufplatte Support mudguard Zaczepek okapnika	6500			422640	CAPOT RAIDISSEUR Kap versterking Kappe Verstärkung Cover reinforcer Wzmocnienie szykany	5000	
	422196	PARCLOSE 4 Glaslat 4 Glasleiste 4 Glazing Bead 4 Listwa przyszybowa 4	6500			738285 PVC	1/2 SEUIL 1/2 dorpel 1/2 Schwelle 1/2 sill 1/2 prog	6500	
	422197	PARCLOSE 8 Glaslat 8 Glasleiste 8 Glazing Bead 8 Listwa przyszybowa 8	6500			999312	DORMANT 24 Kader 24 Blendrahmen 24 Frame 24 Oscieznica 24	6500	
	422198	PARCLOSE 12 Glaslat 12 Glasleiste 12 Glazing Bead 12 Listwa przyszybowa 12	6500			999313	TRAVERSE 24 Tussenstijl 24 Querprofil 24 Transom 24 Przewiazka 24	6500	
	422199	PARCLOSE 16 Glaslat 16 Glasleiste 16 Glazing Bead 16 Listwa przyszybowa 16	6500			999314	BATTEMENT Stolp Stulp Double casement Prof. przylgowy	6500 2150	
	422200	PARCLOSE 20 Glaslat 20 Glasleiste 20 Glazing Bead 20 Listwa przyszybowa 20	6500			999315	OUVRANT 41 Vleugel 41 Flügel 41 Vent 41 Skrzydlo 41	6500	
	422201	PARCLOSE 24 Glaslat 24 Glasleiste 24 Glazing Bead 24 Listwa przyszybowa 24	6500			999316	REHAUSSEUR 24 Verhoog 24 Erhöhung Profil 24 Raising profile 24 Prof. poszerzający 24	6500	
	422246	REJET D'EAU Waterweerder Wasserabstosser Water Repeller Okapnik	6500			422511	DORMANT 24 Kader 24 Blendrahmen 24 Frame 24 Oscieznica 24	6500	
	422360	REJET D'EAU Waterweerder Wasserabstosser Water repeller Okapnik	6500			422512	TRAVERSE 24 Tussenstijl 24 Querprofil 24 Transom 24 Przewiazka 24	6500	
	422511	DORMANT 24 Kader 24 Blendrahmen 24 Frame 24 Oscieznica 24	6500			999348	DORMANT 50 Kader 50 Blendrahmen 50 Frame 50 Oscieznica 50	6500	
	421973 L 5000								
	421972 L 5000								
	422199 L 6500								
	422200 L 6500								
	422201 L 6500								
	422514 L 6500								

A UTILISER EN CAS DE COMMANDE S.V.P.
to use in case of order please
DATE ET SIGNATURE :
date and signature :



Fenêtres - Windows
" ALLURE 61 "
profils
profiles







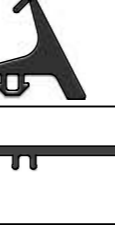



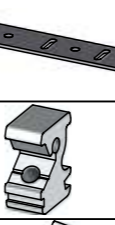

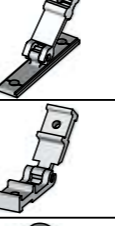
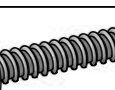
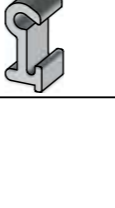
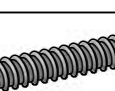
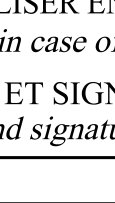

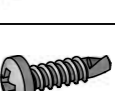
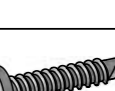




SOCIETE / company : N° CLIENT / customer :				CHANTIER / site : COULEUR / color :			
Accessoire	Réf	Désignation	Qté	Accessoire	Réf	Désignation	Qté
	718358	ECROU NOYE TF M5 ALU Blindklinkmoer VK M5 Blindnietmutter SK M5 Blind rivet nut CSH M5 Nakretka M5			732312	EQUERRE A SERTIR Klemhoek Eckverbinder Stanzbar Clamping corner Naroznik do zacisk.	
	731082	COLLE D'ETANCHEITE afdichtingslijm Abdichtungsleim sealing glue klej uszczelniajacy					
		white					
		black					
	731083	COLLE PVC PVC lijm PVC Leim PVC glue klej do PCV			732313	EQUERRE A VISSER Vijshoek Eckverbinder Schraubbar Screwing corner Naroznik do skrec.	
	731084	PRODUIT NETTOYAGE reinigungsprodukt Reinigungsprodukt cleaning product produkt do czyszczenia			732314	EQUERRE A SERTIR Klemhoek Eckverbinder Stanzbar Clamping corner Naroznik do zacisk.	
	732126 brut mill finish	AIGUILLE DE BLOCAGE Blokkeerpin Verbindungsstift Locking pin Igla blokady			734283	GABARIT PERCAGE - (742931) Boormal - (742931) Bohrschablone - (742931) Boring jig set - (742931) Szabl. wierc. - (742931)	
	732265	EQUERRE A SERTIR Klemhoek Eckverbinder Stanzbar Clamping corner Naroznik do zacisk.			734290	POINCONNEUSE Ponsmaschine Pneumatische Stanze Pneumatic punch tool Wykrawarka pneumatyczna	
	732266	EQUERRE A VISSER Vijshoek Eckverbinder Schraubbar Screwing corner Naroznik do skrec.			734295	GABARIT PERCAGE - EQUERRE Boormal - hoek Bohrschablone - Eckverbinder Boring jig set - corner Szabl. wierc. - naroznik	
	732267	EQUERRE A SERTIR/BROCHER Klemhoek of hoek met pin Eckverbinder Stanzbar oder mit Stift Clamping corner or corner with pin Naroznik zaciskany/kolkowy			737173 PVC	EMBOUT REJET D'EAU Eindplaat waterweerder Endplatte Wasserabstosser End plate water repeller Nakladka okapnik	
	732268	EQUERRE A PION Clips hoek Eckverbinding Schraubbar Clipping corner Naroznik kolkowy			737180 EPDM	EMBOUT BATTEMENT Stolpeinstuk Stulpendstück Sealing double casement Nakladka przylgowa	
	732269	GOUVILLE Pen Kegel Pin Kolek			737196 *	EMBOUT BAVETTE Eindplaat drempel Endplatte Traufplatte End plate mudguard Nakladka okapnik	
					738141	JOINT BUTEE Aanslag glasrubber Glasdichtung Butted glazing gasket Uszczelka przylgowa	
					738147	JOINT LIAISON Verbindingsrubber Verbindungsichtung Junction gasket Uszczelka laczaca	
					738163 PVC	COUPE VENT Afwateringskap Entwasserungsdeckel Cover drain hole Wiatrochron	
				* = SPECIFIER LA COULEUR color to specify			

A UTILISER EN CAS DE COMMANDE S.V.P.
to use in case of order please

DATE ET SIGNATURE :
date and signature :



Fenêtres - Windows
" ALLURE 61 "
Accessoires
Hardware


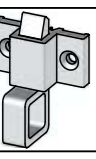
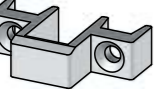

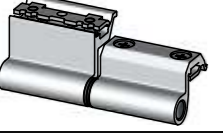



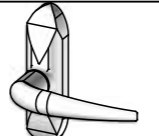
SOCIETE / company : N° CLIENT / customer :				CHANTIER / site : COULEUR / color :			
Accessoire	Réf	Désignation	Qté	Accessoire	Réf	Désignation	Qté
	738230	EMBOUT REJET D'EAU Eindplaat waterweerder Endplatte Wasserabstosser End plate water repeller Nakladka okapnik			746007 inox	VM TFHC M6-10 MV VBH M6-10 MS SIH M6-10 MS HSCS M6-10 Wkret metr. M6-10	
	738239	JOINT A BOURRER 2-4 Insteek glasrubber 2-4 Glasdichtung 2-4 Glazing gasket 2-4 Uszczelka osadcza 2-4			746038 inox	VM STHC M6-15 CUV MSV BHK M6-15 MGS IHRS M6-15 MSS HSCP M6-15 Wkret metr. M6-15	
	738240	JOINT A BOURRER 4-6 Insteek glasrubber 4-6 Glasdichtung 4-6 Glazing gasket 4-6 Uszczelka osadcza 4-6			746058 poz-inox	VT TCBL Ø 4.85 x 13 PV PC Ø 4.85 x 13 BS L Ø 4.85 x 13 TS PH Ø 4.85 x 13 Wkret samogwint. Ø 4.85 x 13	
	738241	JOINT A BOURRER 5-7 Insteek glasrubber 5-7 Glasdichtung 5-7 Glazing gasket 5-7 Uszczelka osadcza 5-7			746086 poz-inox	VM TF M5 x 15 MV V M5 x 15 MS S M5 x 15 MS CS M5 x 15 Wkret metr. M5-15	
	738249	JOINT A BOURRER 3-5 Insteek glasrubber 3-5 Glasdichtung 3-5 Glazing gasket 3-5 Uszczelka osadcza 3-5			746087 inox	ECROU H M5 Moer H M5 Mutter H M5 Nut H M5 Nakretka M5	
	738251	JOINT CENTRAL Middendichting Mitteldichtung Central gasket Uszczelka centralna			746099 inox	VM STHC M8-8 POINTU MSV BH M8-8 punt MGS IH M8-8 spitze MSS HS M8-8 point Wkret M8-8	
	738252 PVC	SUPPORT CALE VITRAGE Glassteun Klotz Auflage Glazing support Podkladka stala			746103 poz-inox	VT TCBL Ø 5.5 x 32 PV PC Ø 5.5 x 32 BS L Ø 5.5 x 32 TS PH Ø 5.5 x 32 Wkret samogw. Ø 5.5 x 32	
	738257	JOINT EXT VITRAGE Glasrubber buiten Aussen Glasdichtung Glazing gasket outside Uszczelka osadcza zew			746130 poz-inox	VT TCBL Ø 5.5 x 38 PV PC Ø 5.5 x 38 BS L Ø 5.5 x 38 TS PH Ø 5.5 x 38 Wkret samogw. Ø 5.5 x 38	
	738286 Lg = 2m	SEUIL EPDM Dorpel EPDM Schwelle EPDM Sill EPDM prog EPDM			746139 poz-inox	VM TF M5 x 25 MV V M5 x 25 MS S M5 x 25 MS CS M5 x 25 Wkret M5 x 25	
	742697	PATTE DE SCELLEMENT Dook Maueranker Fixing lug Kotew			746171 poz-inox	VT AUTOPERCEUSE TCL-Z Ø 3.5 x 13 Zelfborende pancilinderschroef Linsen Bohrschraube Self-drilling pan head screw Wkret samogwintujacy	
	742929 brut mill finish	TASSEAU INT. T-verbinding T-verbinding Connecting bracket inside Lacznik			746172 poz-inox	VT AUTOPERCEUSE TCL-Z Ø 3.5 x 19 Zelfborende pancilinderschroef Linsen Bohrschraube Self-drilling pan head screw Wkret samogwintujacy	
	742931 brut mill finish	TASSEAU VARIABLE Variable T-verbinding Veränderliche T-verbinding Variabel connecting bracket Lacznik przewiazki regulowany			746173 poz-inox	VT AUTOPERCEUSE TCL-Z Ø 4.2 x 13 Zelfborende pancilinderschroef Linsen Bohrschraube Self-drilling pan head screw Wkret samogwintujacy	
	742932	EQUERRE ROTULE Scharnierhoek Gelenk Eckverbinder Hingecorner Katownik na przegubie			746190 inox	VM TFHC M5 x 12 MV VBH M5 x 12 MS SIH M5 x 12 MS HSCS M5 x 12 Wkret metr. M5-12	
	742933 brut mill finish	TASSEAU EXT. T-verbinding buiten Aus. T-verbinding Connecting bracket outside Lacznik zew.			746197 inox	VM TCHC M5 x 45 MV CBH M5 x 45 MS ZIH M5 x 45 MS HSH M5 x 45 Wkret metr. M5 x 45	
					746217 inox	VM TCHC M5 x 16 MV CBH M5 x 16 MS ZIH M5 x 16 MS HSH M5 x 16 Wkret metr. M5 x 16	
				* = SPECIFIER LA COULEUR color to specify			

A UTILISER EN CAS DE COMMANDE S.V.P.
to use in case of order please

DATE ET SIGNATURE :
date and signature :



Fenêtres - Windows
" ALLURE 61 "
Accessoires
Hardware

SOCIETE / company : N° CLIENT / customer :				CHANTIER / site : COULEUR / color :				
Accessoire	Réf	Désignation	Qté	Accessoire	Réf	Désignation	Qté	
	730511	KIT CHRONO OF Kit chrono D Kit chrono D Kit chrono T Zestaw R Chrono			742849	TRINGLE CHRONO 250 Sluittat 250 chrono Schussstang 250 chrono Linkbar 250 chrono Popychacz chrono 250		
						742850		TRINGLE CHRONO 300 Sluittat 300 chrono Schussstang 300 chrono Linkbar 300 chrono Popychacz chrono 300
						742851		TRINGLE CHRONO 350 Sluittat 350 chrono Schussstang 350 chrono Linkbar 350 chrono Popychacz chrono 350
	730512	KIT CHRONO OT Kit chrono V Kit chrono K Kit chrono F Zestaw uchylne Chrono			742852	TRINGLE CHRONO 365 Sluittat 365 chrono Schussstang 365 chrono Linkbar 365 chrono Popychacz chrono 365		
						742853		TRINGLE CHRONO 400 Sluittat 400 chrono Schussstang 400 chrono Linkbar 400 chrono Popychacz chrono 400
	734276	GABARIT POUR GACHES Chrono MAL Chrono Schablone Chrono jig set Szablon chrono						
	742693	LOQUETEAU Knipslot Oberlichtschnapper Springlatch Zamykacz do lufcika			742854	GACHE CHRONO Sluittuk chrono Schliessteil chrono Lockplate chrono Zaczep chrono		
	742694	GACHE LOQUETEAU Slotplaat knipslot Schliessplatte für Oberlichtschnapper Lock plate springlatch Gniazdo do zamykacza			742855	KIT GACHE CHRONO Kit sluittuk chrono Kit Schliessteil chrono Kit lockplate chrono Zasuwa posrednia Chrono		
	742695	GLISSIERE Valschaar Fallschere Link lever Slizgacz do zamykacza			742856	KIT VERROU MEDIAN CHRONO Kit middensluiting chrono Kit Zentralverschluss chrono Kit central closure chrono Zestaw zaczep posredni		
	742786	PAUMELLE CHASSIS Raamscharnier Fenster Scharnier Window hinge Zawias okienny			742857	KIT COMPAS CHRONO Kit kompas chrono Kit compas chrono Kit compas chrono Zestaw popychacz gorny		
	742845	KIT CHRONO DO Kit chrono DO Kit chrono DO Kit chrono DO Zaczep Chrono			742858	TRINGLE CONNEXION 110 Sluittat verbinding 110 Schlussstang Verbind. 110 Linkbar connection 110 Popychacz 110		
	742846	TRINGLE CHRONO 100 Sluittat 100 chrono Schussstang 100 chrono Linkbar 100 chrono Popychacz chrono 100			742859	TRINGLE CONNEXION 160 Sluittat verbinding 160 Schlussstang Verbind. 160 Linkbar connection 160 Popychacz 160		
	742847	TRINGLE CHRONO 150 Sluittat 150 chrono Schussstang 150 chrono Linkbar 150 chrono Popychacz chrono 150			742860	KIT VERROU MEDIAN OF Kit middensluiting O Kit Zentralverschluss O Kit central closure O Zasuwa posrednia R		
	742848	TRINGLE CHRONO 200 Sluittat 200 chrono Schussstang 200 chrono Linkbar 200 chrono Popychacz chrono 200			742900	POIGNEE CHASSIS Raamkruk Fenstergriff Windowhandle Klamka		

A UTILISER EN CAS DE COMMANDE S.V.P.






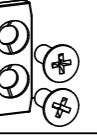

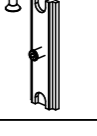


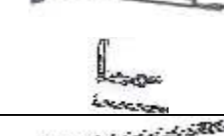



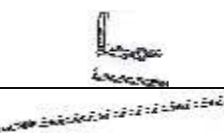

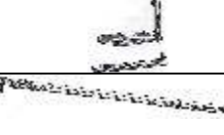
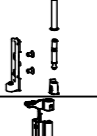
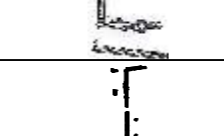
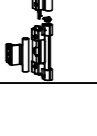

to use in case of order please

DATE ET SIGNATURE :

date and signature :



Fenêtres - Windows
" ALLURE 61 "
Fermetures
Locks and bolts

SOCIETE / company : N° CLIENT / customer :				CHANTIER / site : COULEUR / color :			
Accessoire	Réf	Désignation	Qté	Accessoire	Réf	Désignation	Qté
	742906	GACHE DO Sluittuk DO Schliesstück DD Lock-plate DC Zaczep			743000	KIT CHRONO OB 1 Kit chrono DK 1 Kit chrono DK 1 Kit chrono T 1 Zestaw RU chrono 1	
	742914	POIGNEE CHASSIS A CLEF Raamkruk met sleutel Fenstergriff mit Schlüssel Windowhandle with key Klamka z kluczem do okien			743001	KIT CHRONO OB 2 Kit chrono DK 2 Kit chrono DK 2 Kit chrono T 2 Zestaw RU Chrono 2	
	742965	CHARNIERE INVISION DR OF Scharnier Invision r EO Scharnier Invision r EO Invision hinge r Zawias Invision Pr RU			743002	KIT CHRONO OB 3 Kit chrono DK 3 Kit chrono DK 3 Kit chrono T 2 Zestaw RU Chrono 3	
	742966	CHARNIERE INVISION G OF Scharnier Invision I EO Scharnier Invision I EO Invision hinge I Zawias Invision L RU			743003	KIT RENFORCEMENT Versterkingskit Verstärkungskit Reinforcement kit Zestaw wzmacniajacy	
	742967	GACHE SUPPLEMENTAIRE INVISION Bijkomend slot Invision Supplement Schloss Invision Supplementary lock Invision Zaczep dodatkowy Invision			743004	KIT RENFORCEMENT INV Versterkingskit INV Verstärkungskit INV Reinforcement kit INV Zestaw wzmacniajacy INV	
	742968	CHARNIERE INVISION DR OB Fb<670 Scharnier Invision r DK Fb<670 Scharnier Invision r DK Fb<670 Invision Hinge r TT Fw <670 Zawias Invision Pr RU Fb<670			743005	LIMITEUR OUV INV OB Begrenzer INV draaikpraam Begrenzer INV Drehkipfenster Limitator INV tilt and turn window Ogranicznik otw. INV RU	
	742969	CHARNIERE INVISION G OB Fb<670 Scharnier Invision I DK Fb<670 Scharnier Invision I DK Fb<670 Invision Hinge I TT Fw <670 Zawias Invision L RU Fb<670			743006	LIMITEUR OUV INV OB Begrenzer INV draaikpraam Begrenzer INV Drehkipfenster Limitator INV tilt and turn window Ogranicznik otw. INV RU	
	742970	CHARNIERE INVISION DR OB Fb<1300 Scharnier Invision r DK Fb<1300 Scharnier Invision r DK Fb<1300 Invision Hinge r TT Fw <1300 Zawias Invision Pr RU Fb<1300			743008	KIT CHARN INV OT Scharnierkit INV valraam Scharnierkit INV Fallfenster Hinge kit for hinged window INV Zestaw zawias INV uch	
	742971	CHARNIERE INVISION G OB Fb<1300 Scharnier Invision I DK Fb<1300 Scharnier Invision I DK Fb<1300 Invision Hinge I TT Fw <1300 Zawias Invision L RU Fb<1300			743009	BOITIER TIGE CARRE 7 Slotkast vierkante stift 7 Schlosskasten vierkantiger Stift 7 lockcase for square rod 7 Zamek trzypien kwadrat 7	
	742972	CHARNIERE INVISION DR OB Fb<1700 Scharnier Invision r DK Fb<1700 Scharnier Invision r DK Fb<1700 Invision Hinge r TT Fw <1700 Zawias Invision Pr RU Fb<1700			743018	KIT FIXATION CHARNIERES Kit bevestiging scharnieren Kit Befestigung Scharnier Kit fixation hinge Kit stopa zawias	
	742973	CHARNIERE INVISION G OB Fb<1700 Scharnier Invision I DK Fb<1700 Scharnier Invision I DK Fb<1700 Invision Hinge I TT Fw <1700 Zawias Invision L RU Fb<1700			743019	KIT CHARNIERES Kit scharnieren Kit Scharnier Kit Hinge Zestaw zawiasow	
	742988	KIT DE BASE OB Basisset kipraam DK Kipdrem Grundausstattung DK Concealed tilt basic parts T Zestaw RU					
	742998	POIGNEE CHASSIS CARRE 7 Raamkruk Griff Fenster Window handle Klamka stand					

* = SPECIFIER LA COULEUR
color to specify

A UTILISER EN CAS DE COMMANDE S.V.P.

to use in case of order please

DATE ET SIGNATURE :

date and signature :



Fenêtres - Windows
" ALLURE 61 "
Fermetures
Locks and bolts

PAGE 15